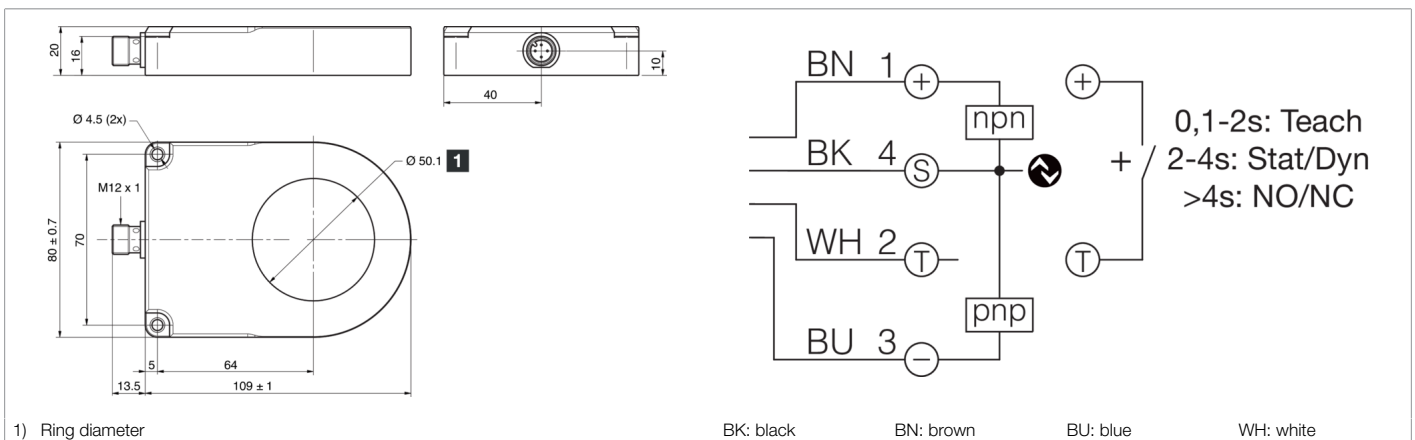
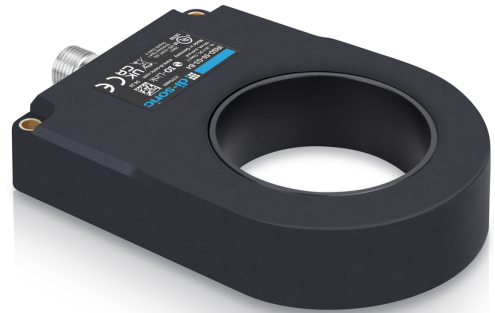




213673
IRSD-50-G3-B4
Inductive ring sensor

- High resolution
- Short response time
- Sensitivity and pulse stretching adjustable
- Resistant to dirt
- Switchable between static and dynamic operating principle
- Metal connector
- High protection type
- Frequency switchable for reducing the installation distance
- Intelligent teach-in process
- Remote Teach



| Function | | | | | | | | | | |
|----------|--|--|--|--|--|--|--|--|--|--|
| | | | | | | | | | | |

| Technical data (typ.) | +20°C, 24 V DC |
|--------------------------------------|--|
| Service voltage | 10 ... 30 V DC |
| No-load current (max.) | 30 mA |
| Insulation voltage endurance | 1000 V |
| Internal diameter | 50.1 mm |
| Housing material | Plastic (PA) |
| Material | POM (Ring) |
| Protection class | III, operation on protective low voltage |
| Approvals | UL |
| Operating principle | Dynamic/static switchable (IO-Link / PIN 2) |
| Switching output | Push-pull/PNP/NPN, 100 mA, NO/NC, switchable |
| Voltage drop (max.) | 2 V |
| Interface | IO-Link |
| Pulse stretching | adjustable |
| Resolution | Ø 2.5 mm (dynamic), Ø 6.0 mm (static) |
| Sensitivity adjustment | IO-Link |
| Speed of parts (max.) | 35 m/s |
| Speed of parts (min.) | 0.1 m/s (dynamic) |
| Readiness delay (max.) | 300 ms |
| Shock/vibration load | 30 g, 11 ms / 10 ... 55 Hz, 1.0 mm |
| Ambient temperature during operation | -25 ... +70 °C |
| Permissible relative humidity | < 95% (+25°C) / < 90% (+40°C), non-condensing (increased humidity affects the sensor nominal resolution) |
| Protection type | IP 67 |



213673

IRSD-50-G3-B4

Inductive ring sensor

Technical data (typ.)

+20°C, 24 V DC

Connection

Connector, M12, 4-pin, A-coded

Connection cable

VK ...

More information / accessories

<https://www.di-soric.com/213673>