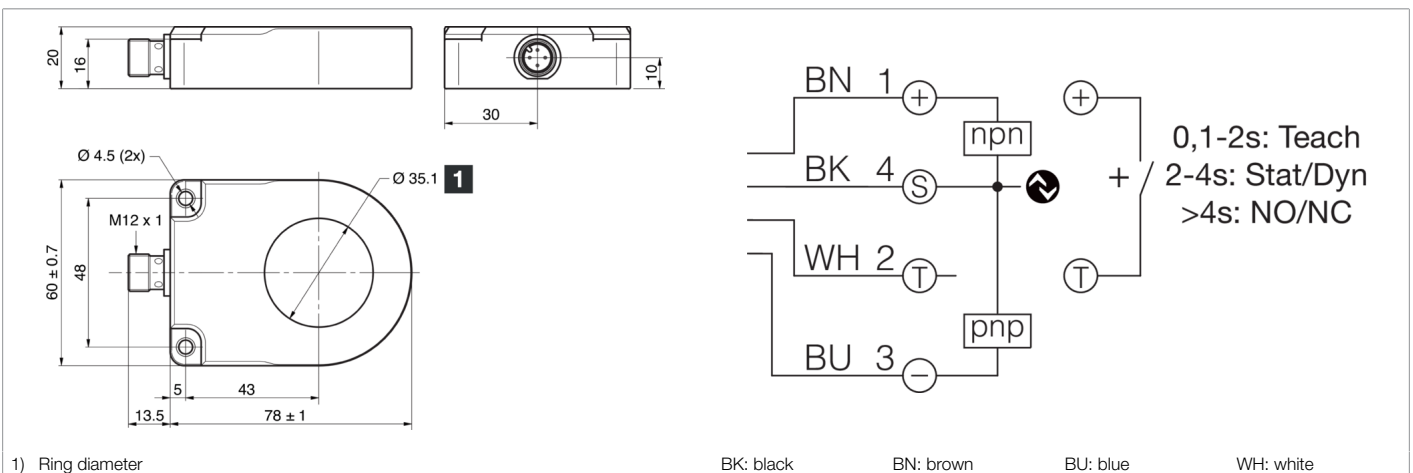
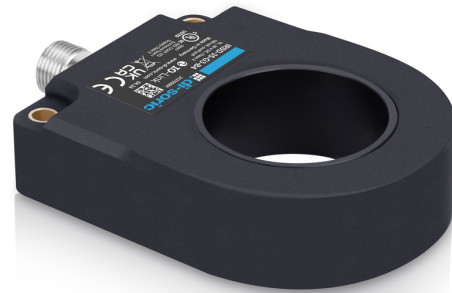




**213672**  
**IRSD-35-G3-B4**  
**Inductive ring sensor**

- High resolution
- Short response time
- Sensitivity and pulse stretching adjustable
- Resistant to dirt
- Switchable between static and dynamic operating principle
- Metal connector
- High protection type
- Frequency switchable for reducing the installation distance
- Intelligent teach-in process
- Remote Teach



Function										

Technical data (typ.)	+20°C, 24 V DC
Service voltage	10 ... 30 V DC
No-load current (max.)	30 mA
Insulation voltage endurance	1000 V
Internal diameter	35.1 mm
Housing material	Plastic (PA)
Material	POM (Ring)
Protection class	III, operation on protective low voltage
Approvals	UL
Operating principle	Dynamic/static switchable (IO-Link / PIN 2)
Switching output	Push-pull/PNP/NPN, 100 mA, NO/NC, switchable
Voltage drop (max.)	2 V
Interface	IO-Link
Pulse stretching	adjustable
Resolution	Ø 2.0 mm (dynamic), Ø 4.5 mm (static)
Sensitivity adjustment	IO-Link
Speed of parts (max.)	35 m/s
Speed of parts (min.)	0.1 m/s (dynamic)
Readiness delay (max.)	300 ms
Shock/vibration load	30 g, 11 ms / 10 ... 55 Hz, 1.0 mm
Ambient temperature during operation	-25 ... +70 °C
Permissible relative humidity	< 95% (+25°C) / < 90% (+40°C), non-condensing (increased humidity affects the sensor nominal resolution)



213672

IRSD-35-G3-B4

Inductive ring sensor

**Technical data (typ.)**

**+20°C, 24 V DC**

Protection type

IP 67

Connection

Connector, M12, 4-pin, A-coded

Connection cable

VK ...

**More information / accessories**

<https://www.di-soric.com/213672>