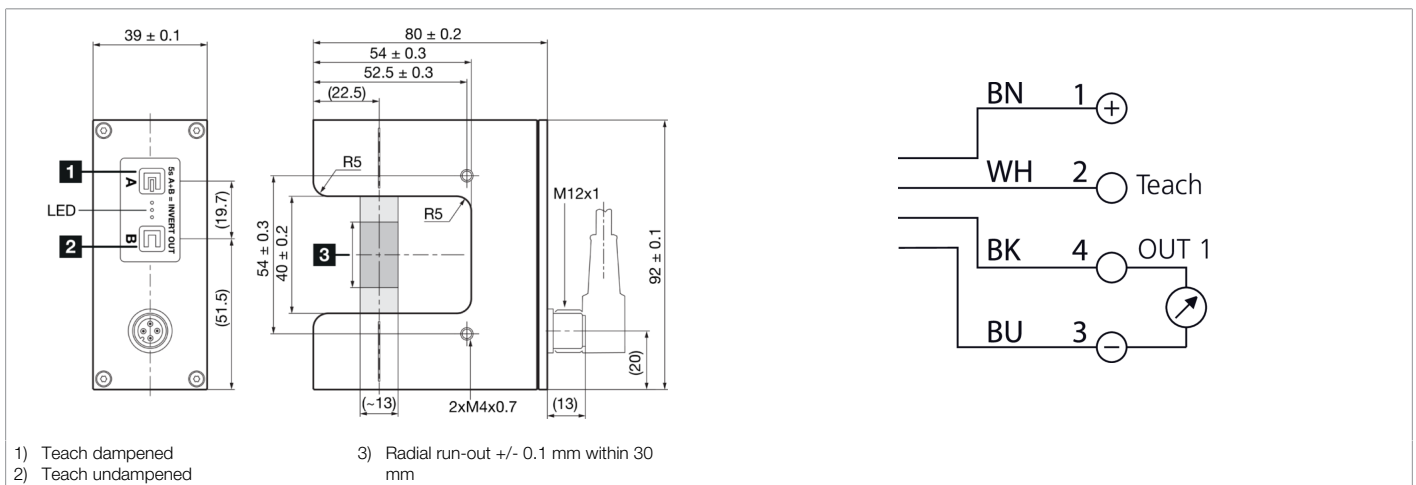


213498
USGT 40/13 IU-B4
Ultrasonic fork barrier

- Large linearized analog range
- Very high repeatability
- Web edge control also with transparent materials
- Resistant to dirt



Function										

Technical data (typ.)		+20°C, 24 V DC
Service voltage		12 ... 30 V DC
No-load current (max.)		40 mA (24 V DC)
Ripple		10 %
Insulation voltage endurance		500 V
Housing material		Aluminum (Black, Anodized)
Protection class		III, operation on protective low voltage
Approvals		UL
Operating principle		Ultrasonic through-beam sensor
Evaluation		analog
Design		Fork
Analog output		0 ... 10 V, 4 ... 20 mA
Fork opening		40 mm
Resolution		0.1 mm
Measuring range		13 mm (typ.)
Reproducibility		± 0.1 mm
Sensitivity adjustment		Keypad
Measuring frequency		285 Hz
Ambient temperature during operation		0 ... +60 °C
Protection type		IP 67
Connection		Connector, M12, 4-pin
Connection cable		VKHM ... /4



213498

USGT 40/13 IU-B4

Ultrasonic fork barrier

[More information / accessories](#)

<https://www.di-soric.com/213498>