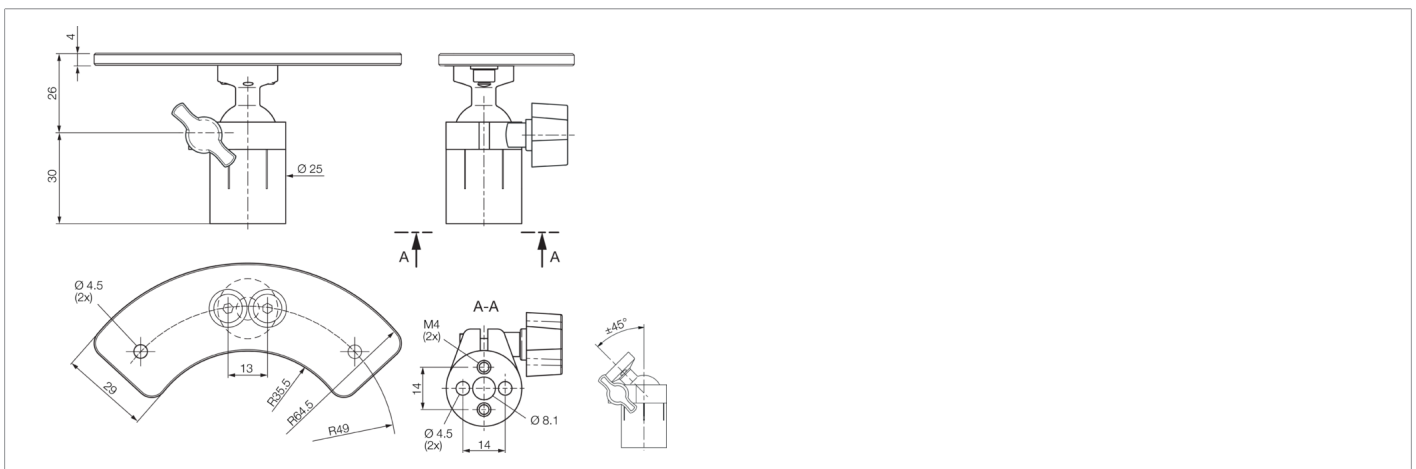
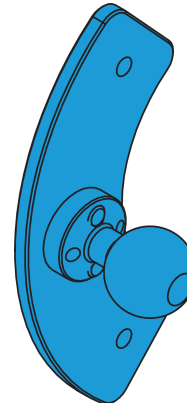




213331
HS-BE-R-MP-KK-M4
Ball head BEK-R70

- Load capacity min. 60 Nm (static)
- Torsional strength min. 8 Nm
- Adjustment range: 45°(Inclination) / 360° (rotation)



Technical data (typ.)

Housing dimensions	29 x 35 mm
Housing material	Aluminum
Component	Ball head BEK-R70
To be used for	Ringlights BE-R70...
Product series	Z-UBT-KU-PH Product bracket
Scope of delivery	Adapter plate (BEK-R70), Ball head, Ball housing, Fixing material

More information / accessories

<https://www.di-soric.com/213331>