

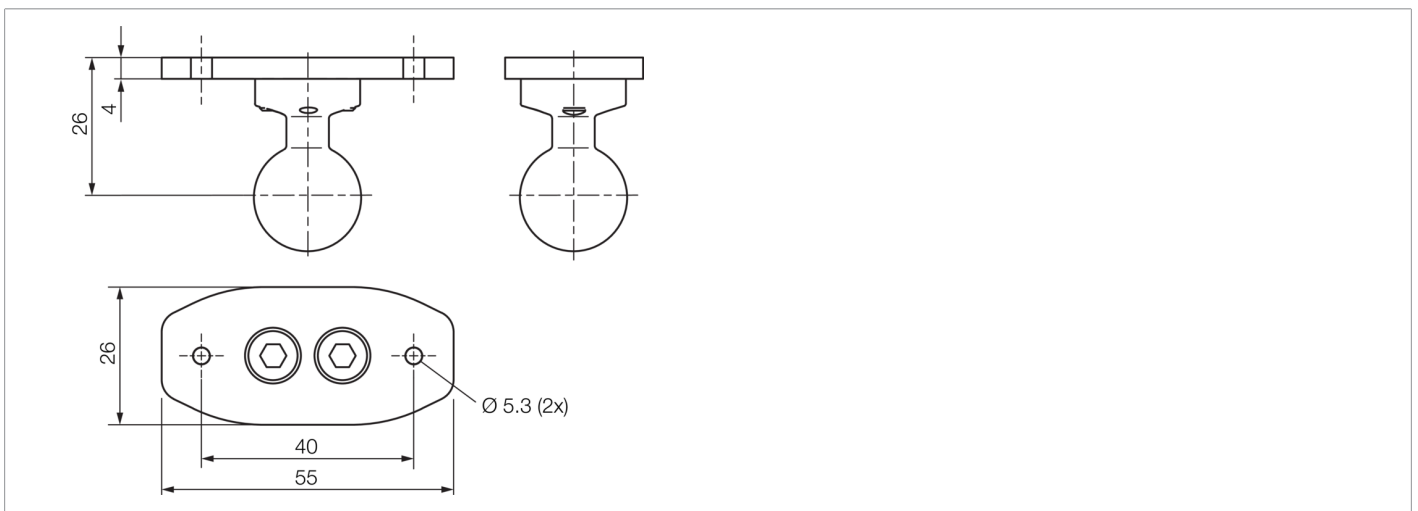


**213323**

**HS-AG-HM-MP-KK**

**Ball head and assembly plate**

- Robust, highly flexible
- Exact and simple fixing
- Quick and easy mounting



#### Technical data (typ.)

Housing dimensions	36 x 26 x 55 mm
Load capacity	60 N / 6 kg
Housing material	Aluminum
Component	Ball head and assembly plate
To be used for	Barlights BE-A65 ..., Barlights BE-A130 ..., Barlights BE-A240 ...
Product series	Z-UBT-KU-MS Assembly system
Scope of delivery	Ball head, Mounting plate

#### More information / accessories

<https://www.di-soric.com/213323>