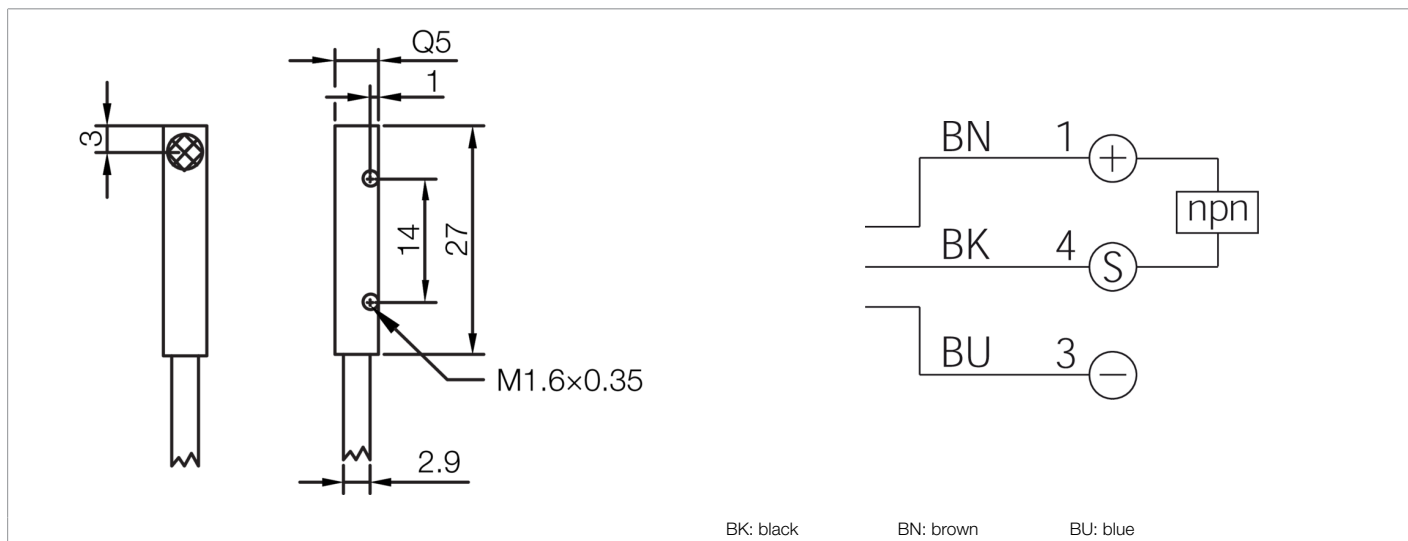


213244
INSM-Q05-B0.8NO-2C
Inductive proximity sensor

- Single switching distance
- Highly flexible cable
- Short-circuit protection
- LED switching status display
- High protection type



BK: black BN: brown BU: blue

Function

| | | | | | | | | | | | | | | |
|--|--|--|--|--|--|--|--|--|--|--|--|--|--|--|
| | | | | | | | | | | | | | | |
|--|--|--|--|--|--|--|--|--|--|--|--|--|--|--|

| Technical data (typ.) | +20°C, 24 V DC |
|------------------------------|--|
| Service voltage | 10 ... 30 V DC |
| Internal power consumption | 10 mA |
| Insulation voltage endurance | < 500 V DC |
| Installation type | Flush |
| Housing dimensions | 5 x 5 mm |
| Housing length | 27 mm |
| Housing height | 5 mm |
| Housing width | 5 mm |
| Housing material | Brass (nickel-plated) |
| Material of cable | PVC |
| Protection class | III, operation on protective low voltage |
| Operating principle | inductive |
| Evaluation | digital |
| Design | Cuboid design |
| Characteristics | Single switching distance |
| Product series | INM-100 Miniature |
| Switching output | npn, 200 mA, NC |
| Voltage drop (max.) | 1.5 V DC |
| Switching distance (SN) | 0.8 mm |
| Standardized measuring plate | 5 x 5 x 1 mm |

 **213244****INSM-Q05-B0.8NO-2C****Inductive proximity sensor**

| | |
|---------------------------------------|--|
| Technical data (typ.) | +20°C, 24 V DC |
| Switching hysteresis (max.) | < 15 % |
| LED Anzeige | Yes |
| Switching frequency | 2000 Hz |
| Ambient temperature during operation | -25 ... +70 °C |
| Protection type | IP 67 |
| Connection | Cable, 2.0 m (flying leads) |
| More information / accessories | https://www.di-soric.com/213244 |