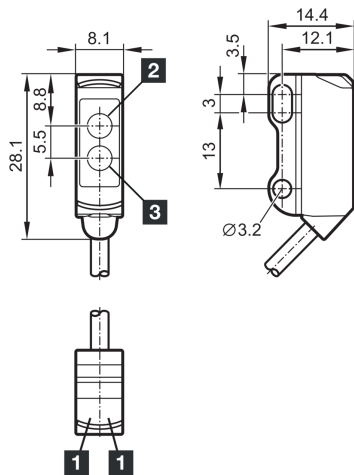


212977

OH21-80PS-2C

Retroreflective diffuse sensors with background suppression

- Miniature design
- Mounting element made of metal
- High switching frequency
- Ideal background suppression
- Scanning range preset
- IO-Link
- Measuring function
- Scanning range parameterizable in mm



1) LED
2) Receiver

3) Transmitter

BK: black

BN: brown

BU: blue

Function



Technical data (typ.)

+20°C, 24 V DC

| | |
|-----------------------------|--|
| Service voltage | 10 ... 30 V DC |
| No-load current (max.) | 20 mA |
| Inverse polarity protection | Yes |
| Short-circuit protection | Yes |
| Housing dimensions | 28.1 x 8.1 x 14.4 mm |
| Housing length | 8.1 mm |
| Housing height | 28.1 mm |
| Housing width | 14.4 mm |
| Housing material | Stainless steel / Plastic |
| Material of cable | PVC |
| Material | Plastic (Window / optics) |
| Weight | 37 g |
| Protection class | III, operation on protective low voltage |
| Approvals | UL |
| Operating principle | Diffuse sensor with background suppression |
| Evaluation | digital |
| Design | Cuboid design |
| Switching output | pnp, 100 mA, NO/NC, configurable |
| Voltage drop (max.) | 2.5 V |

**212977****OH21-80PS-2C****Retroreflective diffuse sensors with background suppression**

| Technical data (typ.) | +20°C, 24 V DC |
|---------------------------------------|--|
| Interface | IO-Link (V1.1, COM2 38.4 kBd, Smart Sensor Profile) |
| Light source | LED (Clocked) |
| Color | Red |
| Wavelength | 633 nm |
| Background suppression | Yes |
| Light spot size | > Ø 4 mm |
| Scanning range | 1 ... 80 mm (configurable) |
| Standardized measuring plate | 200 x 200 mm (white) |
| Sensitivity adjustment | IO-Link |
| Display | LED Green - Status, yellow - Switching output |
| Switching frequency | 1000 Hz |
| Ambient temperature during operation | -25 ... +60 °C |
| Protection type | IP 65 / IP 67 |
| Connection | Cable, 2.0 m, 3-pin |
| More information / accessories | https://www.di-soric.com/212977 |