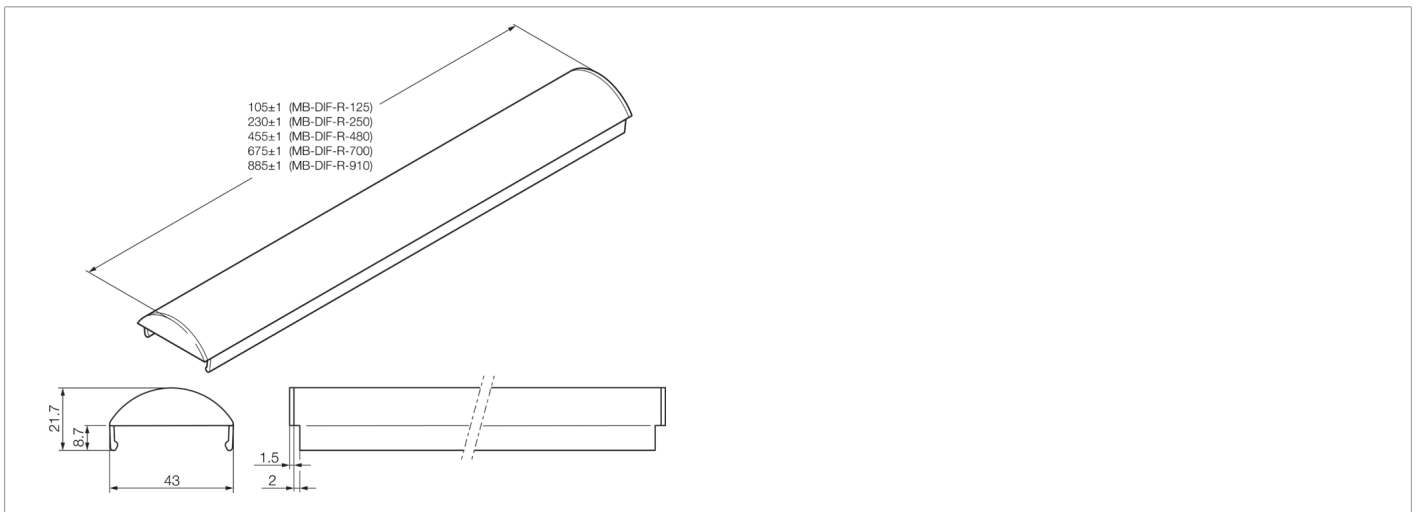
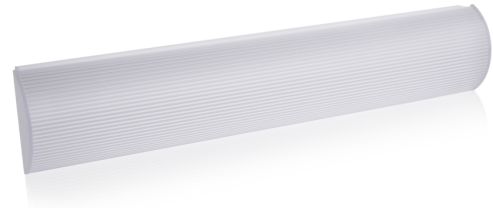




- Diffusion filter
- For a homogeneous light reduction and illumination
- Quick and easy mounting



Technical data (typ.)	+20°C
Illuminated area	230 x 43 mm
Mounting	Using clamping groove
Material	PC diffuse (Window)
Weight	31 g
Component	Diffusor panel
To be used for	MB-N-250 ...
<b>More information / accessories</b>	<a href="https://www.di-soric.com/212825">https://www.di-soric.com/212825</a>