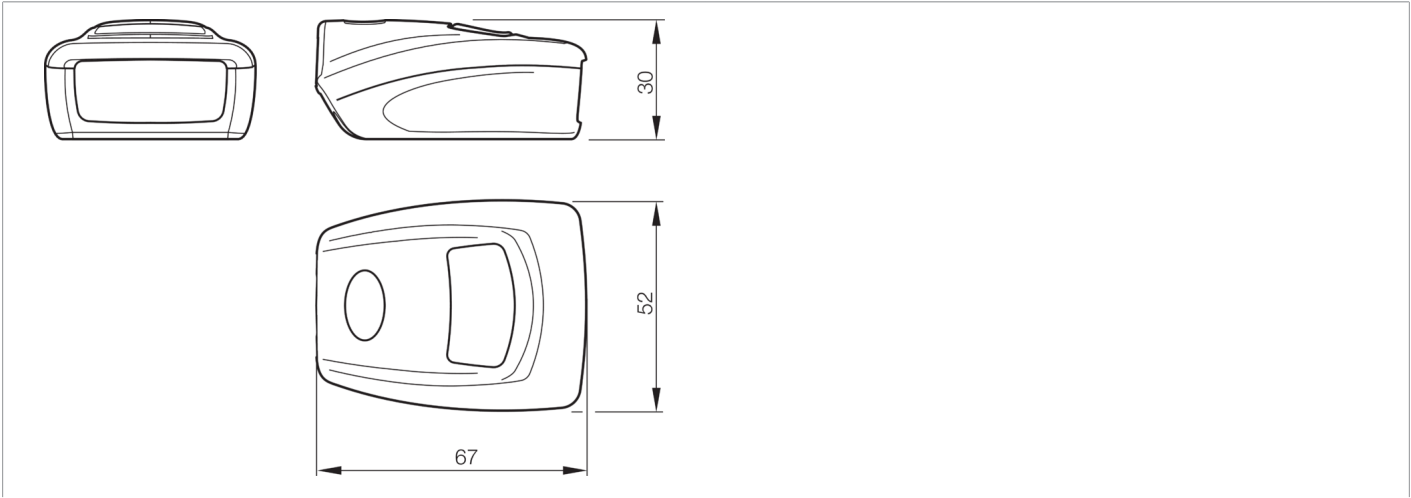




**211080**  
**ID-10-IM3-2-US**  
**ID-System 10**

- Fast, omnidirectional recognition of 1D, 2D codes and postal barcodes
- Manual or automatic trigger
- Fatigue-free work thanks to its low weight and handy format
- Reading feedback using LED and audible tone



Function														
													CE	

Technical data (typ.)	
Service voltage	5 V DC
Housing dimensions	30 x 67 x 52 mm
Housing length	67 mm
Housing height	30 mm
Housing width	52 mm
Housing material	Plastic
Weight	55 g
Note	Additional components are required for operation
Code type - 1D-Codes (barcodes)	BC 412, Code 11, Codabar, Code 128, Code 39, Code 32, Pharmacode, GSI DataBar, Hong Kong 2 of 5, IATA 2 of 5, Interleaved 2 of 5, Matrix 2 of 5, MSI Plessey, NEC 2 of 5, Plessey, Straight 2 of 5, Telepen, Trioptic, UPC / EAN / JAN
Code type - 2D-Codes	Aztec Code, Data Matrix, QR code, Micro QR Code, QR Model 1, Han Xin, Maxi Code, Data Matrix Rectangular Extension
Code type - Stacked codes	PDF 417, Micro PDF, Code 49, Grid Matrix, Codablock F, GS1 Composite (CC-A/CC-B/CC-C)
Interface	<ul style="list-style-type: none"> <li>■ RS232 (In operation with ID-K-SD/DCJ-RJ50-2)</li> <li>■ USB (In operation with ID-K-M12/U-2)</li> <li>■ USB-A (In operation with ID-K-RJ50/U-2)</li> </ul>
Image sensor	CMOS
Resolution	960 x 640 Pixel
Position scanner to code	Tilt 180°, Pitch ± 65°, Skew ± 60°
Ambient temperature during operation	-20 ... +55 °C
Connection	RJ 50



**211080**  
**ID-10-IM3-2-US**  
**ID-System 10**

[More information / accessories](#)

<https://www.di-soric.com/211080>