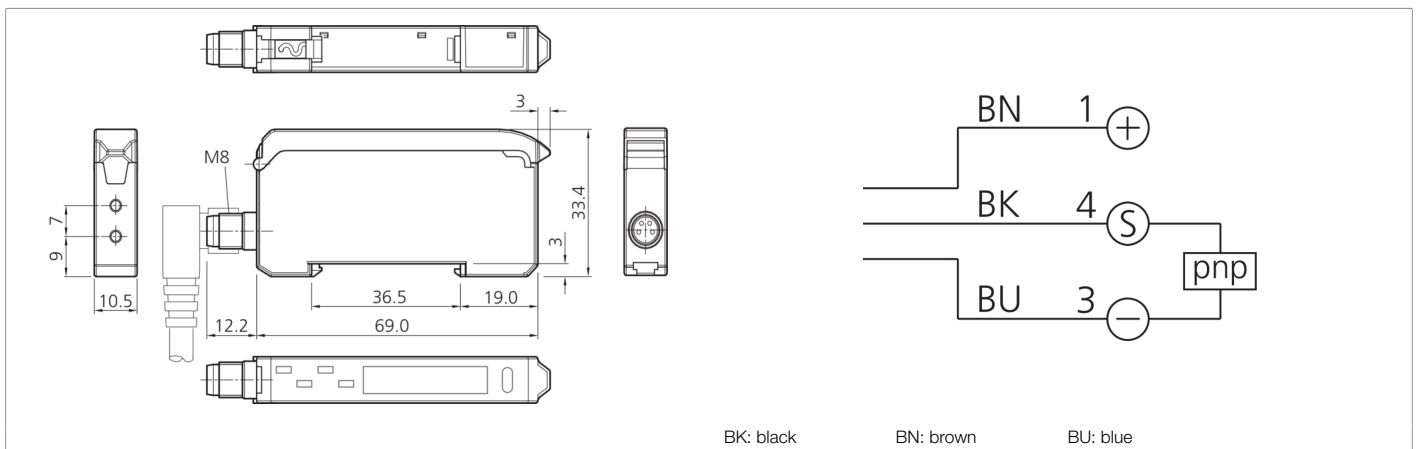




**209974**  
**OLK 71 P3-T4**  
**Plastic fiber-optic amplifier**

- Long range
- Easy to operate
- Two digital LED displays for the target value and actual value
- Teach-in / fine manual adjustment
- Time function / offset function
- Switch for light/dark switching



| <b>Function</b> |  |  |  |  |  |  |  |  |  |  |  |
|-----------------|--|--|--|--|--|--|--|--|--|--|--|
|                 |  |  |  |  |  |  |  |  |  |  |  |

| <b>Technical data (typ.)</b>         | <b>+20°C, 24 V DC</b>                       |
|--------------------------------------|---|
| Service voltage                      | 12 ... 24 V DC (± 10%)                      |
| No-load current (max.)               | 40 mA                                       |
| Insulation voltage endurance         | 1000 V                                      |
| Housing length                       | 69 mm                                       |
| Housing height                       | 33.4 mm                                     |
| Housing width                        | 10.5 mm                                     |
| Housing material                     | Plastic (ABS) / Plastic (PC)                |
| Protection class                     | III, operation on protective low voltage    |
| Amplifier for                        | 2X2.2 mm plastic fiber optics               |
| Evaluation                           | digital                                     |
| Design                               | Cuboid design                               |
| Switching output                     | pnp, 100 mA, NO/NC, programmable            |
| Light source                         | LED   |
| Color                                | red   |
| Wavelength                           | 625 nm                                      |
| Ambient light immunity               | 10 kLx                                      |
| Operating elements                   | 4   |
| Sensitivity adjustment               | Teach button                                |
| Display                              | Digital display                             |
| Switching frequency                  | 1000 Hz / 800 Hz / 600 Hz / 400 Hz / 200 Hz |
| Response time                        | 0.25 / 0.31 / 0.42 / 0.63 / 1.25 ms         |
| Ambient temperature during operation | -10 ... +55 °C                              |
| Protection type                      | IP 54                                       |



209974

OLK 71 P3-T4

Plastic fiber-optic amplifier

**Technical data (typ.)**

**+20°C, 24 V DC**

Connection

Connector, M8, 4-pin

**More information / accessories**

<https://www.di-soric.com/209974>