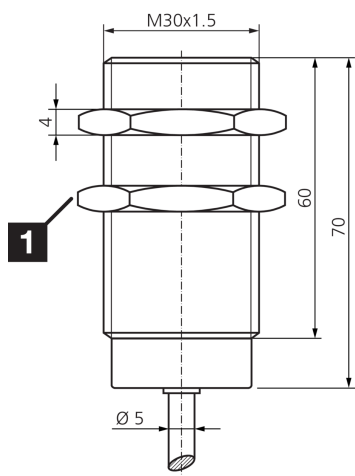




**209900**  
**DCC 30 VH 10 POK/180**  
**Inductive proximity sensor**

- High-temperature resistant up to 180 °C permanent temperature
- Stainless steel housing
- Cable material PTFE
- Integrated amplifier
- Short-circuit protection
- Starting pulse suppression



1) Width over flats 36 mm

BK: black

BN: brown

BU: blue

**Function**



**Technical data (typ.)**

**+20°C, 24 V DC**

Service voltage	10 ... 30 V DC
Internal power consumption	5 mA
Insulation voltage endurance	500 V
Installation type	Flush
Thread	M30 x 1.5
Housing length	71 mm
Housing material	Stainless steel (LCP)
Material of cable	PTFE
Tightening torque	150 Nm
Protection class	III, operation on protective low voltage
Operating principle	inductive
Evaluation	digital
Design	Thread
Characteristics	< +180 °C, high-temperature resistant
Product series	INH High-temperature resistant
Switching output	pnp, 80 mA, NC
Voltage drop (max.)	2 V
Switching distance (SN)	10 mm
Standardized measuring plate	30 x 30 x 1 mm
Switching hysteresis (max.)	3 ... 15 %



**209900**  
**DCC 30 VH 10 POK/180**  
**Inductive proximity sensor**

<b>Technical data (typ.)</b>	<b>+20°C, 24 V DC</b>
Switching frequency	200 Hz
Ambient temperature during operation	0 ... +180 °C (Sensor)
Protection type	IP 65
Connection	Cable, 2.0 m (flying leads)
<b>More information / accessories</b>	<b><a href="https://www.di-soric.com/209900">https://www.di-soric.com/209900</a></b>