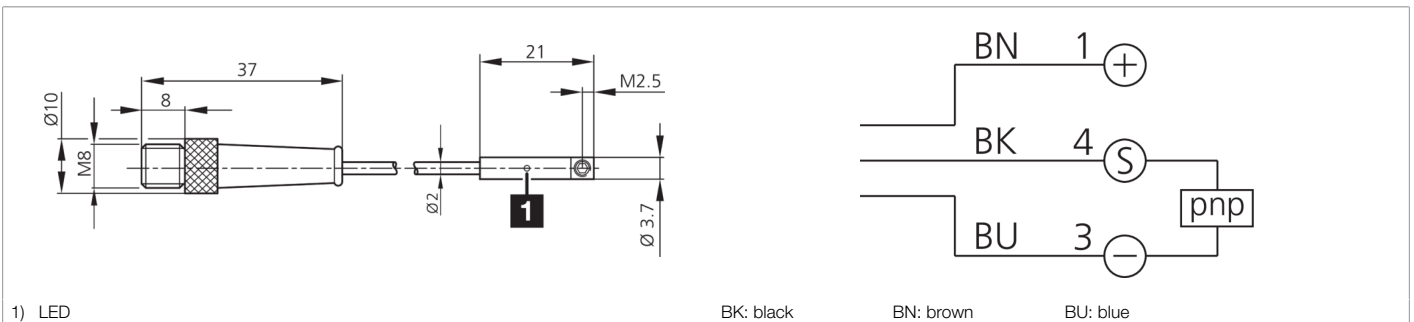


209801
MZEC 3.7 VPS-K-T3
Cylinder sensor

- For pneumatic cylinders with round groove 3.7 mm
- Stainless steel housing
- Mounting element made of stainless steel
- Short design
- Highly flexible cable
- Fully electronic
- High reproducibility
- High protection type



Function

--	--

Technical data (typ.)		+20°C, 24 V DC	
Current-carrying capacity		100 mA, not short-circuit-proof, polarity-safe	
Service voltage		10 ... 30 V DC	
No-load current (max.)		12 mA	
Insulation voltage endurance		500 V	
Cylinder groove		C-groove 3.7 mm, insertion in lateral direction of groove	
Mounting		Locking screw (Allen screw SW 1.3 mm)	
Housing material		Stainless steel (V2A 1.4305 / AISI 303)	
Material of cable		TPU	
Protection class		III, operation on protective low voltage	
Switching output		pnp, 100 mA, NO	
Voltage drop (max.)		2 V	
Switching capacity		< 3 W (30 V, 100 mA)	
Reproducibility		< 0.1 mm	
Display		LED yellow - Output signal	
Switching frequency		1000 Hz	
Ambient temperature during operation		-20 ... +70 °C	
Protection type		IP 67	
Connection		Pigtail, 0.3 m, M8, 3-pin, 3 x 0.08 mm ²	
Connection cable		TK ...	

More information / accessories	https://www.di-soric.com/209801
---------------------------------------	---