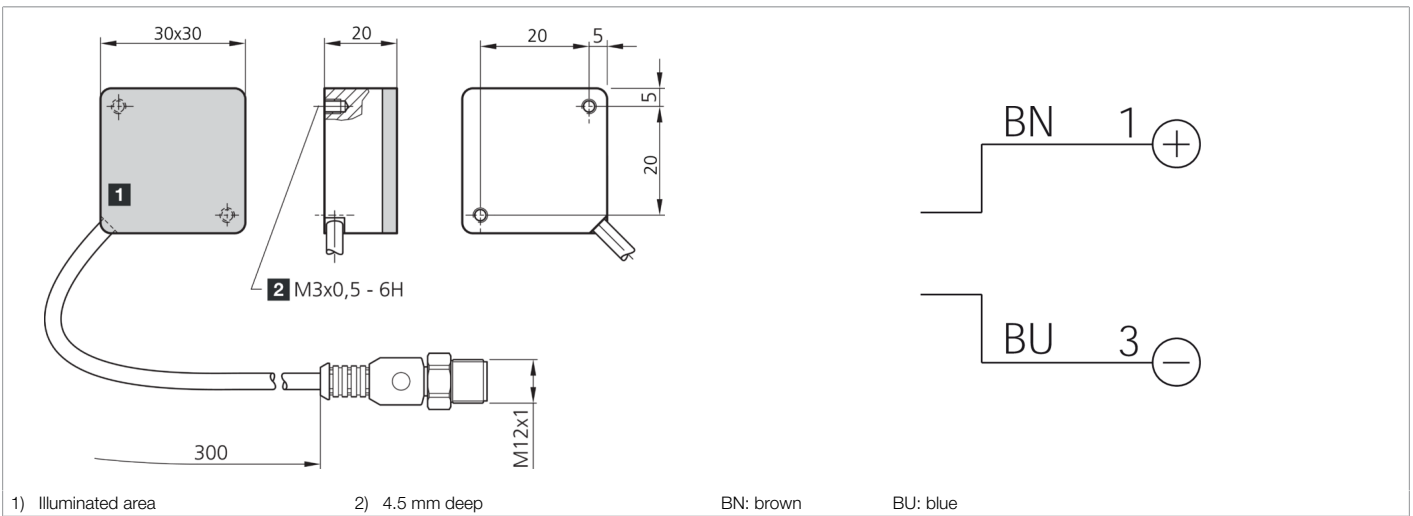




209742
BE-A30/30-G5-K-BS
Barlight

- High light intensity
- A minimal edge region
- Homogeneous luminous field
- Very compact design
- High protection type IP 67
- Robust design



| Function | | | | | | | | | | |
|----------|--|--|--|--|--|--|--|--|--|--|
| | | | | | | | | | | |

| Technical data (typ.) | +20°C, 24 V DC |
|-----------------------------|---|
| Service voltage | 24 V DC (Supply Class 2) |
| Internal power consumption | 46 mA (24 V DC) |
| Power | 1.1 W (24 V DC) |
| Inverse polarity protection | no |
| Illuminated area | 30 x 30 mm |
| Housing dimensions | 30 x 30 x 20 mm |
| Housing material | Aluminum (Black, Anodized) |
| Material | PMMA, clear (Protection optics) |
| Weight | 45 g |
| Protection class | III, operation on protective low voltage |
| Risk group (DIN EN 62471) | Free group |
| Approvals | UL |
| Design | Barlight |
| Light source | LED |
| Color | White |
| Wavelength | 5000 K |
| Deflection angle FWHM | 130° |
| Light intensity | <ul style="list-style-type: none"> ■ 2.10 kLx (100.0 mm) ■ 6.00 kLx (200.0 mm) ■ 3.00 kLx (300.0 mm) |
| Control | without power control |



209742

BE-A30/30-G5-K-BS

Barlight

| | |
|---------------------------------------|--|
| Technical data (typ.) | +20°C, 24 V DC |
| Shock/vibration load | 30 g, 11 ms / 10 ... 55 Hz, 1.0 mm |
| Ambient temperature during operation | 0 ... +40 °C (Continuous operation) |
| Protection type | IP 67 |
| Connection | Pigtail, 0.3 m, M12, 3-pin |
| Connection cable | VK ... |
| More information / accessories | https://www.di-soric.com/209742 |