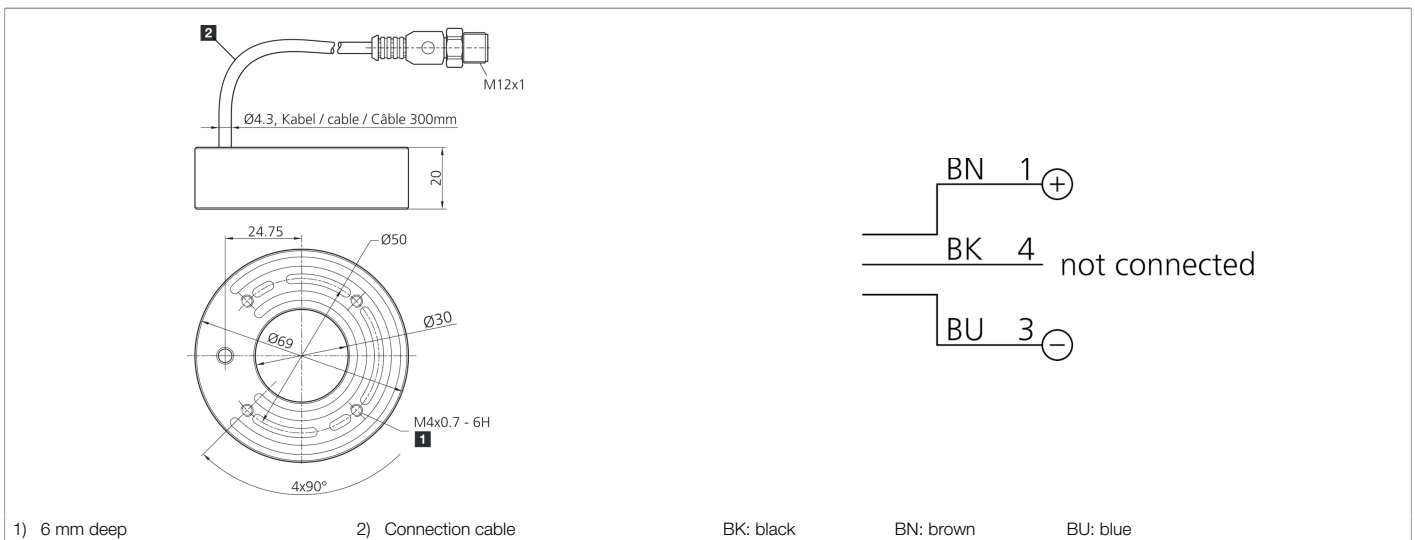




209556
BE-R30-G5-K-BS-POL
Ringlight

- High light intensity thanks to state-of-the art high power LEDs
- Very compact design
- Long life thanks to intelligent thermal management
- Homogeneous illumination
- Protection class IP 67
- Robust metal housing



Function													

Technical data (typ.)		+20°C, 24 V DC	
Service voltage		24 V DC (Supply Class 2)	
Power		4.6 W (24 V DC)	
Insulation voltage endurance		500 V	
Diameter		Ø 30 / Ø 69 mm (Diameter)	
Height		20 mm	
Housing material		Aluminum (Black, Anodized)	
Material		<ul style="list-style-type: none"> ■ Polyurethane (Cable) ■ PMMA, polarized (Protection optics) 	
Protection class		III, operation on protective low voltage	
Risk group (DIN EN 62471)		Free group	
Approvals		UL	
Design		Ringlight	
Characteristics		State-of-the-art high power LEDs	
Light source		LED	
Color		White (polarized)	
Wavelength		6000 K	
Deflection angle FWHM		80°	
Light intensity		<ul style="list-style-type: none"> ■ 8.00 kLx (100.0 mm) ■ 2.60 kLx (200.0 mm) ■ 1.20 kLx (300.0 mm) 	
Shock/vibration load		30 g, 11 ms / 10 ... 55 Hz, 1.0 mm	

**209556****BE-R30-G5-K-BS-POL****Ringlight****Technical data (typ.)****+20°C, 24 V DC**

Ambient temperature during operation

0 ... +40 °C

Protection type

IP 67

Connection

Pigtail, 0.3 m, M12, 3-pin

Connection cable

VK ...

More information / accessories<https://www.di-soric.com/209556>