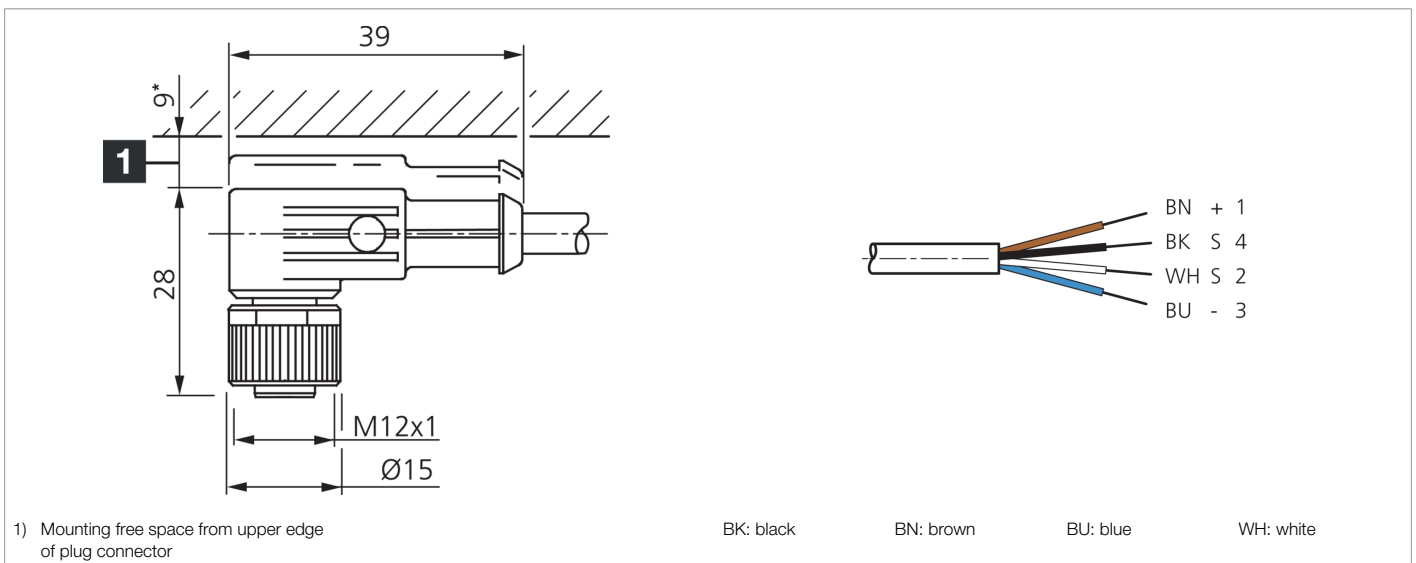




**209547**  
**VKHM-W-15/4/LP**  
**Connection cable**



Function												

Technical data (typ.)	+20°C, 24 V DC
Service voltage	< 31 V DC
Length	15,000 mm
Diameter	Ø 5.0 mm (Diameter)
Thread	M12
Material of cable	PVC
Material	PVC (Connector)
Protection class	III, operation on protective low voltage
Design	Angled / open cable end
Characteristics	Metal nut
LED Anzeige	Yes
Ambient temperature during operation	-5 ... +80 °C (Movable, Fixed)
Protection type	IP 67 (at tightening torque 0.6 Nm)
Connection	Socket, M12, 4-pin
Connection 2	0.34 mm <sup>2</sup> (4 x)

**More information / accessories**      <https://www.di-soric.com/209547>