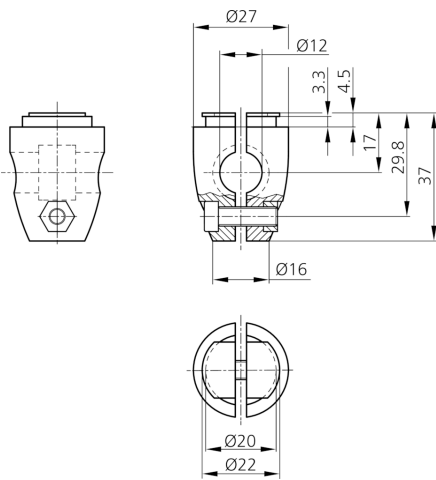
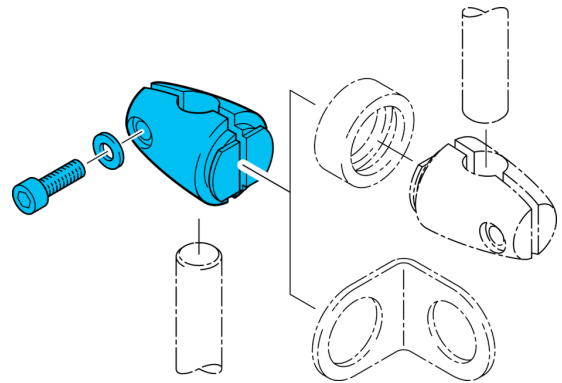




209482
HS-KL-12-20-V
Clamping cylinder

- Highly flexible versatile mounting system
- Universal mounting
- Stepless adjustment
- Robust design



Technical data (typ.)

+20°C

Dimension	$\varnothing 12.5 / \varnothing 20$ mm (Diameter Mounting pin / boring)
Housing material	Stainless steel (V4A, 1.4404 / AISI 316L - 1.4571 / AISI 316Ti)
Component	Clamping cylinder
Product series	Z-UBT-KL-MS Assembly system

More information / accessories

<https://www.di-soric.com/209482>