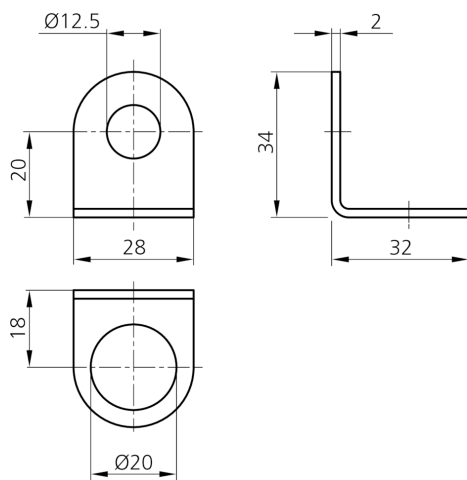
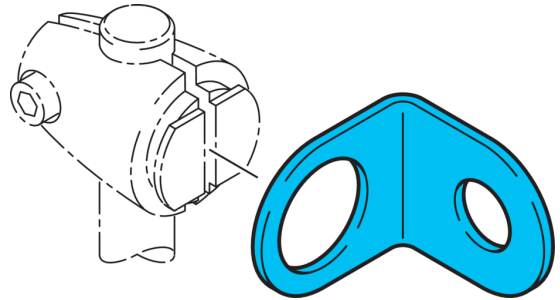



209480
HS-BW-12
Mounting bracket

- Highly flexible versatile mounting system
- Universal mounting
- Stepless adjustment
- Robust design



Technical data (typ.)

+20°C

Dimension	Ø 12.5 / Ø 20 mm (Diameter Mounting pin / boring)
Housing material	Stainless steel
Component	Mounting bracket
Product series	Z-UBT-KL-PH Product bracket

More information / accessories

<https://www.di-soric.com/209480>