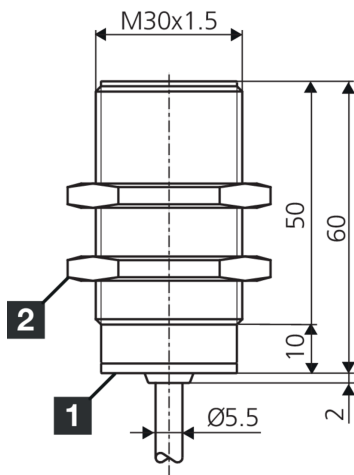
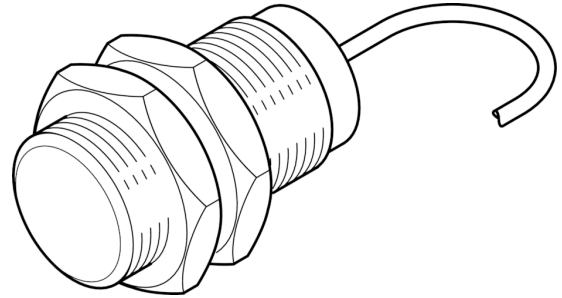




**209379**  
**DCB 30 MB 15 PS-3**  
**Inductive proximity sensor**

- Integrated amplifier
- Short-circuit protection
- Starting pulse suppression
- 4 LEDs for switching status display



1) LED

2) Width over flats 36 mm

BK: black

BN: brown

BU: blue

**Function**



**Technical data (typ.)**

**+20°C, 24 V DC**

|                              |  |
|------------------------------|--|
| Service voltage              | 10 ... 30 V DC                           |
| Internal power consumption   | < 20 mA                                  |
| Insulation voltage endurance | 500 V                                    |
| Installation type            | Flush                                    |
| Thread                       | M30 x 1.5                                |
| Housing length               | 60 mm                                    |
| Housing material             | Brass (nickel-plated)                    |
| Material of cable            | PVC                                      |
| Material                     | PBT (Sensor probe)                       |
| Protection class             | III, operation on protective low voltage |
| Operating principle          | inductive                                |
| Evaluation                   | digital                                  |
| Design                       | Thread                                   |
| Characteristics              | increased operating distance             |
| Product series               | INE Extended                             |
| Switching output             | pnp, 400 mA, NO                          |
| Voltage drop (max.)          | 1 V (400 mA)                             |
| Switching distance (SN)      | 15 mm                                    |
| Standardized measuring plate | 45 x 45 x 1 mm                           |
| Switching hysteresis (max.)  | 1 ... 20 %                               |



209379

DCB 30 MB 15 PS-3

Inductive proximity sensor

**Technical data (typ.)**

**+20°C, 24 V DC**

LED Anzeige

Yes

Switching frequency

200 Hz

Ambient temperature during operation

-25 ... +70 °C

Protection type

IP 67

Connection

Cable, 2.0 m (flying leads)

**More information / accessories**

<https://www.di-soric.com/209379>