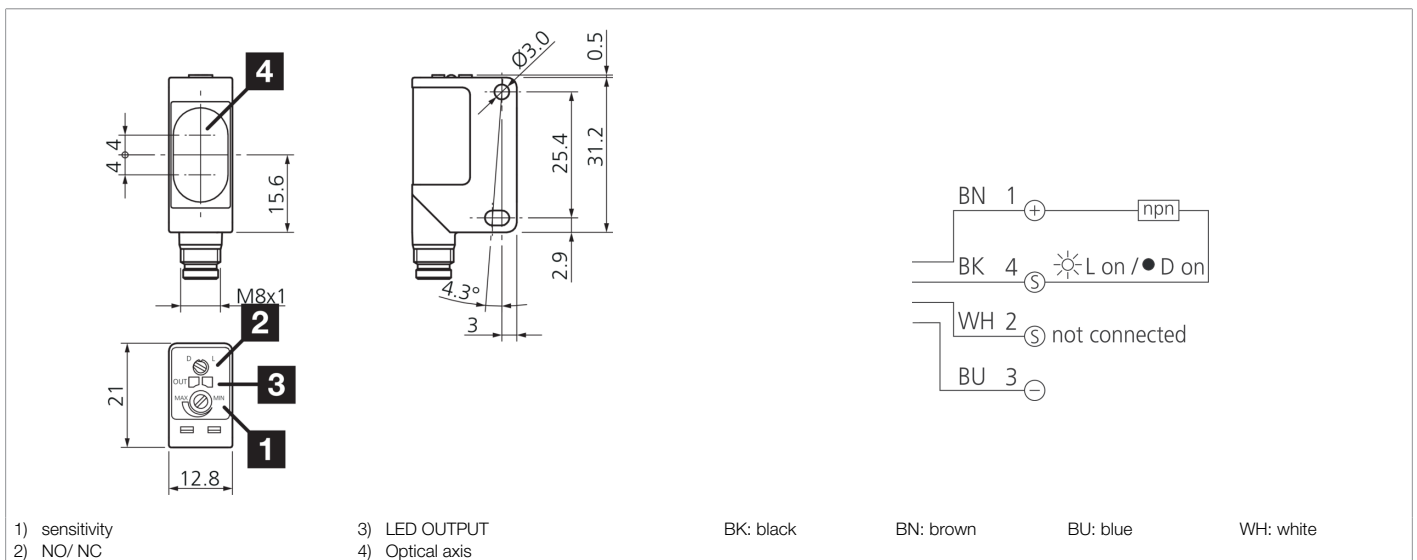


209248
OT 31 K 1000 N3-T4
Retroreflective diffuse sensor

- Compact design
- Red light
- Sensitivity is adjustable
- Switch for light/dark switching
- High scanning range
- Fully molded electronic circuitry, vibration-resistant
- Standardized hole spacing 25.4 mm



Function										
										CE

Technical data (typ.)	+20°C, 24 V DC
Service voltage	10 ... 30 V DC
No-load current (max.)	30 mA
Insulation voltage endurance	1000 V
Housing dimensions	31.2 x 21 x 12.8 mm
Housing length	21 mm
Housing height	31.2 mm
Housing width	12.8 mm
Housing material	Plastic (PA, 6.6)
Material	PMMA (Window)
Protection class	III, operation on protective low voltage
Operating principle	Retroreflective diffuse sensor
Evaluation	digital
Design	Cuboid design
Switching output	npn, 100 mA, NO/NC, switchable
Voltage drop (max.)	2 V
Light source	LED
Color	Red
Wavelength	630 nm
Modulation	Clocked



209248
OT 31 K 1000 N3-T4
Retroreflective diffuse sensor

Technical data (typ.)	+20°C, 24 V DC
Ambient light immunity	3 kLx Halogen light, 10 kLx Sunlight
Scanning range	1000 mm
Standardized measuring plate	400 x 400 mm (white)
Switching hysteresis (max.)	10 %
Sensitivity adjustment	Potentiometer
Switching frequency	1000 Hz
Response time	0.50 ms
Release time	0.50 ms
Ambient temperature during operation	-25 ... +70 °C
Temperature drift	1 mm/K
Protection type	IP 67
Connection	Connector, M8, 4-pin
Connection cable	TK ... /4
More information / accessories	https://www.di-soric.com/209248