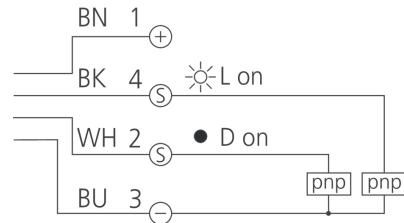
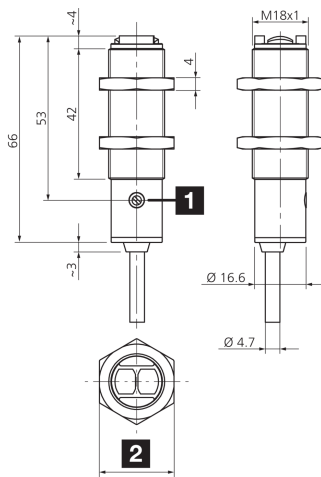


208325

OH 18-1 M 130 P4-4

Retroreflective diffuse sensors with background suppression

- Compact design
- Red light
- Sensitivity is adjustable
- High resolution, switching frequency, functional reserve
- High scanning range
- Antivalent output



1) Potentiometer

2) Width over flats 24 mm

BK: black

BN: brown

BU: blue

WH: white

Function



Technical data (typ.)

+20°C, 24 V DC

Service voltage	10 ... 30 V DC
No-load current (max.)	25 mA
Insulation voltage endurance	500 V
Thread	M18 x 1
Housing length	66 mm
Housing material	Brass (CuZn, nickel-plated)
Material of cable	PVC
Material	PMMA (Window)
Protection class	III, operation on protective low voltage
Operating principle	Diffuse sensor with background suppression
Evaluation	digital
Design	Thread
Switching output	pnp, 100 mA, antivalent
Voltage drop (max.)	2 V
Light source	LED
Color	Red
Wavelength	660 nm
Modulation	Clocked
Background suppression	Yes
Ambient light immunity	5 kLx Halogen light, 10 kLx Sunlight

 **208325****OH 18-1 M 130 P4-4****Retroreflective diffuse sensors with background suppression**

Technical data (typ.)	+20°C, 24 V DC
Scanning range	30 ... 130 mm
Standardized measuring plate	100 x 100 mm (white)
Switching hysteresis (max.)	10 %
Sensitivity adjustment	Potentiometer
Switching frequency	1000 Hz
Response time	0.50 ms
Release time	0.50 ms
Ambient temperature during operation	-25 ... +70 °C
Temperature drift	0.13 mm/K (0.04 mm/K with 60 to 110 mm)
Protection type	IP 67
Connection	Cable, 2.0 m, 4-pin (flying leads)
More information / accessories	https://www.di-soric.com/208325