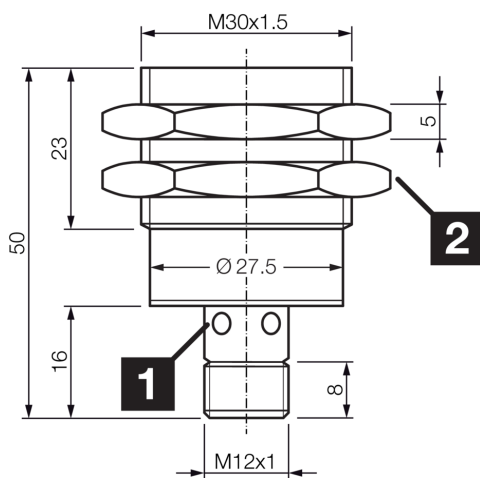




208105
DCCK 30 M 10 PSK-IBSL
Inductive proximity sensor

- Metal connector
- Integrated amplifier
- Short-circuit protection
- Starting pulse suppression
- LED



1) LED 4 x 90° (yellow) 2) Width over flats 36 mm BK: black BN: brown BU: blue

Function



Technical data (typ.)

+20°C, 24 V DC

Service voltage	10 ... 30 V DC
Internal power consumption	< 10 mA
Insulation voltage endurance	500 V
Installation type	Flush
Thread	M30 x 1.5
Housing length	50 mm
Housing material	Brass (nickel-plated)
Tightening torque (max.)	35 Nm
Protection class	III, operation on protective low voltage
Operating principle	inductive
Evaluation	digital
Design	Thread
Product series	IND-100 Short design
Switching output	pnp, 200 mA, NO
Voltage drop (max.)	2.4 V
Switching distance (SN)	10 mm
Standardized measuring plate	30 x 30 x 1 mm
Switching hysteresis (max.)	< 15 %
LED Anzeige	Yes
Switching frequency	500 Hz



208105
DCCK 30 M 10 PSK-IBSL
Inductive proximity sensor

Technical data (typ.)	+20°C, 24 V DC
Ambient temperature during operation	-25 ... +70 °C
Protection type	IP 67
Connection	Connector, M12, 4-pin, A-coded
Connection cable	VK ...
More information / accessories	https://www.di-soric.com/208105