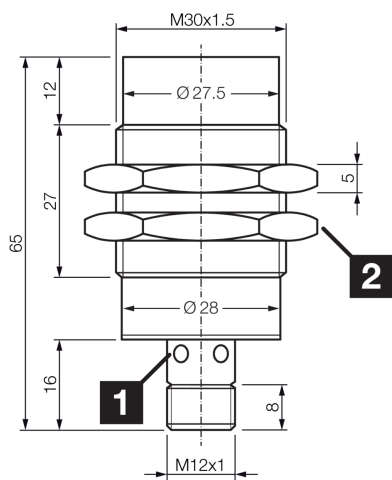




208068
DCC 30 M 15 PSK-IBSL
Inductive proximity sensor

- Metal connector
- Integrated amplifier
- Short-circuit protection
- Starting pulse suppression
- LED



1) LED 4 x 90° (yellow)

2) Width over flats 36 mm

BK: black

BN: brown

BU: blue

Function



Technical data (typ.)

+20°C, 24 V DC

Service voltage 10 ... 30 V DC

Internal power consumption < 10 mA

Insulation voltage endurance 500 V

Installation type non-flush

Thread M30 x 1.5

Housing length 65 mm

Housing material Brass (nickel-plated)

Protection class III, operation on protective low voltage

Operating principle inductive

Evaluation digital

Design Thread

Product series INS-100 Standard

Switching output pnp, 200 mA, NO

Voltage drop (max.) 2.4 V

Switching distance (SN) 15 mm

Standardized measuring plate 45 x 45 x 1 mm

Switching hysteresis (max.) < 15 %

LED Anzeige Yes

Switching frequency 300 Hz

Ambient temperature during operation -25 ... +70 °C



208068

DCC 30 M 15 PSK-IBSL

Inductive proximity sensor

Technical data (typ.)

+20°C, 24 V DC

Protection type

IP 67

Connection

Connector, M12, 4-pin, A-coded

Connection cable

VK ...

More information / accessories

<https://www.di-soric.com/208068>