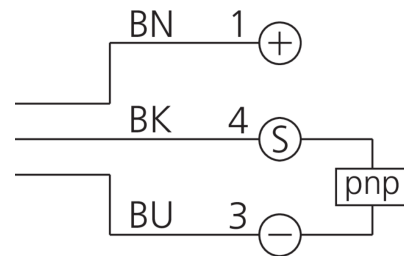
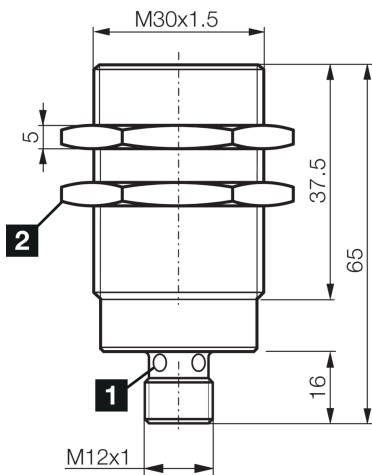

**208063**  
**DCC 30 M 10 POK-IBSL**  
**Inductive proximity sensor**



1) LED 4 x 90° (yellow)

2) Width over flats 36 mm

BK: black

BN: brown

BU: blue

#### Function



#### Technical data (typ.)

#### +20°C, 24 V DC

Service voltage	10 ... 30 V DC
Internal power consumption	< 10 mA
Insulation voltage endurance	500 V
Installation type	Flush
Thread	M30 x 1.5
Housing length	65 mm
Housing material	Brass (nickel-plated)
Protection class	III, operation on protective low voltage
Operating principle	inductive
Evaluation	digital
Design	Thread
Product series	INS-100 Standard
Switching output	pnp, 200 mA, NC
Voltage drop (max.)	2.4 V
Switching distance (SN)	10 mm
Standardized measuring plate	30 x 30 x 1 mm
Switching hysteresis (max.)	< 15 %
Switching frequency	500 Hz
Ambient temperature during operation	-25 ... +70 °C
Protection type	IP 67



**208063**

**DCC 30 M 10 POK-IBSL**

**Inductive proximity sensor**

**Technical data (typ.)**

**+20°C, 24 V DC**

Connection

Connector, M12, 4-pin, A-coded

Connection cable

VK ...

**More information / accessories**

<https://www.di-soric.com/208063>