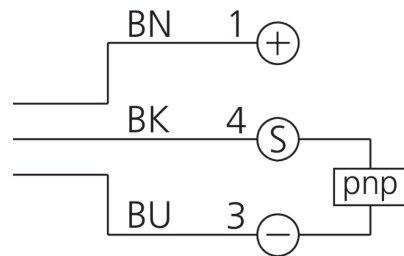
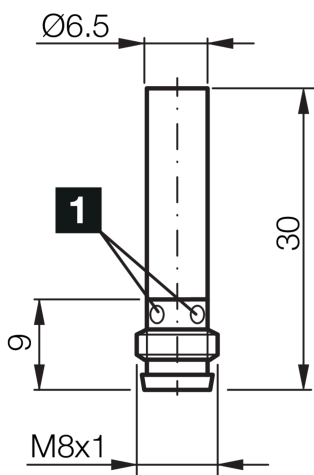




**208013**  
**DCCK 6.5 V 1.5 POK-TSL**  
**Inductive proximity sensor**

- Integrated amplifier
- Short-circuit protection
- Starting pulse suppression
- LED



1) LED

BK: black

BN: brown

BU: blue

**Function**



**Technical data (typ.)**

**+20°C, 24 V DC**

Service voltage	10 ... 30 V DC
Internal power consumption	< 10 mA
Insulation voltage endurance	500 V
Installation type	Flush
Diameter	Ø 6.5 mm (Diameter)
Housing length	30 mm
Housing material	Stainless steel
Protection class	III, operation on protective low voltage
Operating principle	inductive
Evaluation	digital
Design	Cylinder
Product series	IND-100 Short design
Switching output	pnp, 200 mA, NC
Voltage drop (max.)	2.4 V
Switching distance (SN)	1.5 mm
Standardized measuring plate	6.5 x 6.5 x 1 mm
Switching hysteresis (max.)	< 15 %
LED Anzeige	Yes
Switching frequency	3000 Hz
Ambient temperature during operation	-25 ... +70 °C



**208013**

**DCCK 6.5 V 1.5 POK-TSL**

**Inductive proximity sensor**

**Technical data (typ.)**

**+20°C, 24 V DC**

Protection type

IP 67

Connection

Connector, M8, 3-pin, A-coded

Connection cable

TK ...

**More information / accessories**

<https://www.di-soric.com/208013>