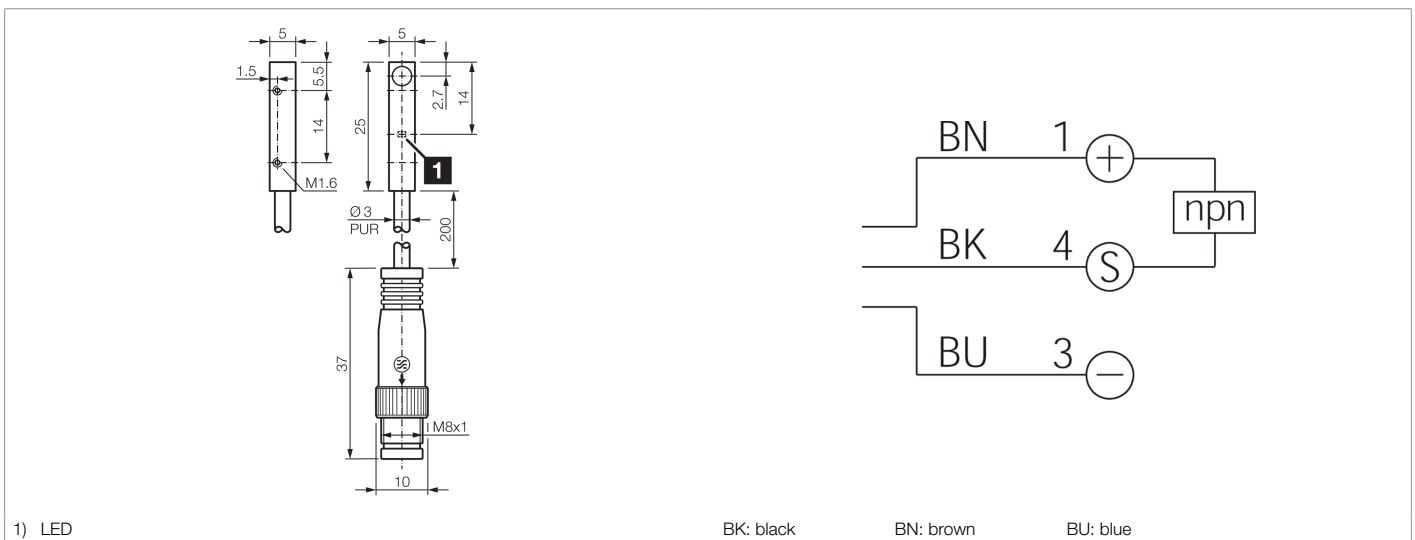




208006
DCCQ 05 M 0.8 NOK-K-TSL
Inductive proximity sensor

- Highly flexible cable
- Metal connector
- Integrated amplifier
- Short-circuit protection
- Starting pulse suppression
- LED



Function												

Technical data (typ.)	+20°C, 24 V DC
Service voltage	10 ... 30 V DC
Internal power consumption	< 10 mA
Insulation voltage endurance	500 V
Installation type	Flush
Housing dimensions	5 x 5 mm
Housing length	25 mm
Housing height	5 mm
Housing width	5 mm
Housing material	Brass (nickel-plated)
Material of cable	Polyurethane
Protection class	III, operation on protective low voltage
Operating principle	inductive
Evaluation	digital
Design	Cuboid design
Product series	INM-100 Miniature
Switching output	npn, 200 mA, NC
Voltage drop (max.)	2.4 V
Switching distance (SN)	0.8 mm
Standardized measuring plate	5 x 5 x 1 mm
Switching hysteresis (max.)	< 15 %



208006

DCCQ 05 M 0.8 NOK-K-TSL

Inductive proximity sensor

Technical data (typ.)	+20°C, 24 V DC
LED Anzeige	Yes
Switching frequency	2000 Hz
Ambient temperature during operation	-25 ... +70 °C
Protection type	IP 67
Connection	Pigtail, 0.2 m, M8, 3-pin, A-coded
Connection cable	TK ...
More information / accessories	https://www.di-soric.com/208006