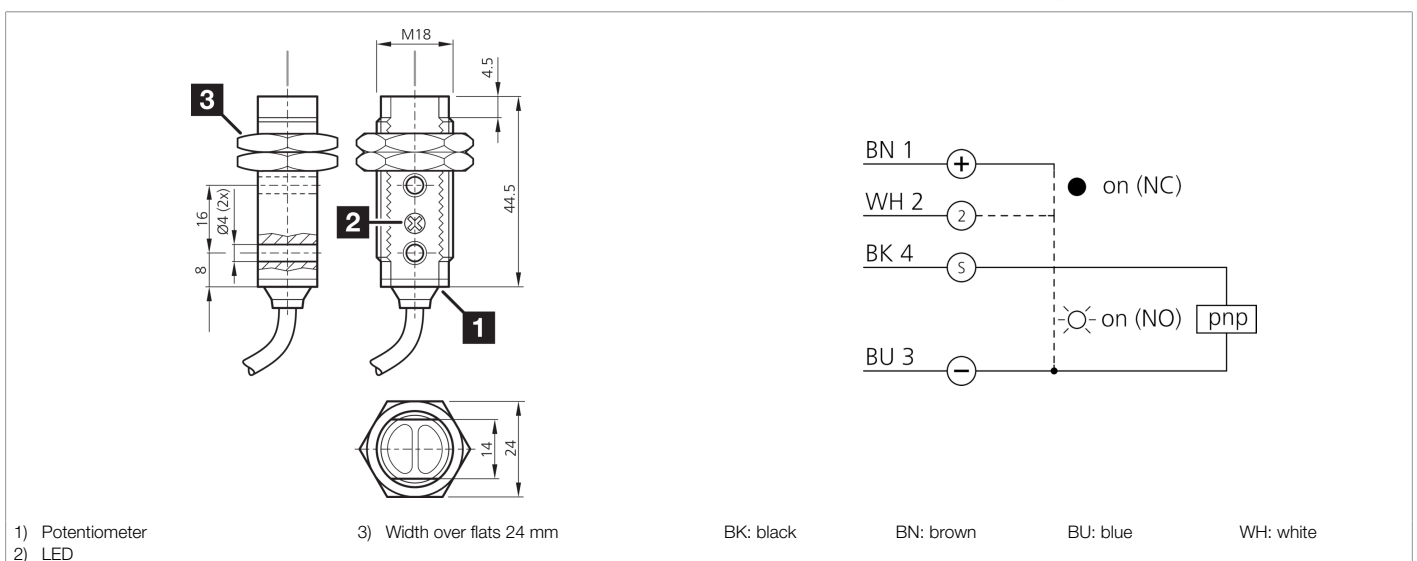




**207936**  
**OT 18 FK 800 P3**  
**Retroreflective diffuse sensor**

- Universal mounting options
- Low installation depth
- Sensitivity is adjustable
- LED switching status display
- Plastic housing



Function										

Technical data (typ.)	+20°C, 24 V DC
Service voltage	10 ... 30 V DC
No-load current (max.)	30 mA
Thread	M18 x 1
Housing length	44.5 mm
Housing material	Plastic (ABS)
Material of cable	PVC
Material	PMMA (Window)
Protection class	III, operation on protective low voltage
Operating principle	Retroreflective diffuse sensor
Evaluation	digital
Design	Thread
Switching output	pnp, 100 mA, NO/NC
Light source	LED
Color	Infrared
Wavelength	880 nm
Modulation	Clocked
Ambient light immunity	3 kLx Clocked light, 10 kLx Sunlight
Scanning range	800 mm
Standardized measuring plate	200 x 200 mm



**207936**

**OT 18 FK 800 P3**

**Retroreflective diffuse sensor**

<b>Technical data (typ.)</b>	<b>+20°C, 24 V DC</b>
Sensitivity adjustment	Potentiometer
Switching frequency	1000 Hz
Response time	0.50 ms
Release time	0.50 ms
Ambient temperature during operation	-25 ... +55 °C
Protection type	IP 67
Connection	Cable, 2.0 m
<b>More information / accessories</b>	<b><a href="https://www.di-soric.com/207936">https://www.di-soric.com/207936</a></b>