

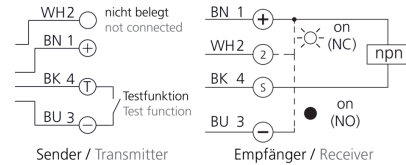
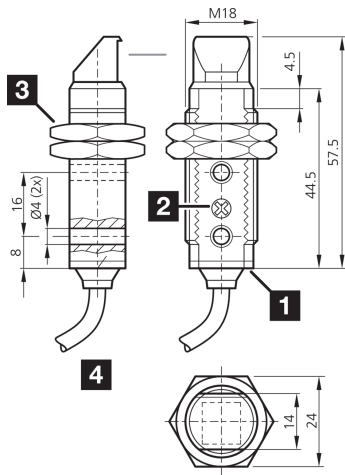


207923

OES 18 FKR 8000 N3

Through-beam sensor, transmitter / receiver

- Angled optics
- Universal mounting options
- Low installation depth
- Sensitivity is adjustable
- LED switching status display
- Plastic housing



1) LED
2) Potentiometer

3) Width over flats 24 mm
4) Connection cable

BK: black

BN: brown

BU: blue

WH: white

Function



Technical data (typ.)

+20°C, 24 V DC

Service voltage	10 ... 30 V DC
No-load current (max.)	30 mA
Thread	M18 x 1
Housing length	57.5 mm
Housing material	Plastic (ABS)
Material of cable	PVC
Material	PMMA (Window)
Protection class	III, operation on protective low voltage
Operating principle	Through-beam sensor
Evaluation	digital
Design	Thread, Angled optics
Consisting of	Transmitter and Receiver
Switching output	npn, 100 mA, NO/NC
Light source	LED
Color	Infrared
Wavelength	880 nm
Modulation	Clocked
Ambient light immunity	3 kLx Clocked light, 10 kLx Sunlight
Range	0 ... 8000 mm



207923

OES 18 FKR 8000 N3

Through-beam sensor, transmitter / receiver

Technical data (typ.)	+20°C, 24 V DC
Sensitivity adjustment	Potentiometer
Switching frequency	333 Hz
Response time	1.5 ms
Release time	1.5 ms
Ambient temperature during operation	-25 ... +55 °C
Protection type	IP 67
Connection	Cable, 2.0 m
More information / accessories	https://www.di-soric.com/207923