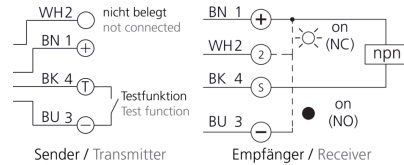
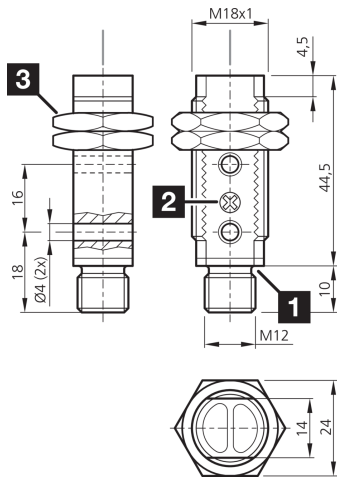




207917
OES 18 FK 10000 N3-B4
Through-beam sensor, transmitter / receiver

- Universal mounting options
- Low installation depth
- Sensitivity is adjustable
- LED switching status display
- Plastic housing



1) Potentiometer 3) Width over flats 24 mm BK: black BN: brown BU: blue WH: white
 2) LED

Function



Technical data (typ.)

+20°C, 24 V DC

Service voltage	10 ... 30 V DC
No-load current (max.)	30 mA
Thread	M18 x 1
Housing length	54.5 mm
Housing material	Plastic (ABS)
Material	PMMA (Window)
Protection class	III, operation on protective low voltage
Operating principle	Through-beam sensor
Evaluation	digital
Design	Thread
Consisting of	Transmitter and Receiver
Switching output	npn, 100 mA, NO/NC
Light source	LED
Color	Infrared
Wavelength	880 nm
Modulation	Clocked
Ambient light immunity	3 kLx Clocked light, 10 kLx Sunlight
Range	0 ... 10000 mm
Sensitivity adjustment	Potentiometer



207917

OES 18 FK 10000 N3-B4

Through-beam sensor, transmitter / receiver

Technical data (typ.)	+20°C, 24 V DC
Switching frequency	333 Hz
Response time	1.5 ms
Release time	1.5 ms
Ambient temperature during operation	-25 ... +55 °C
Protection type	IP 67
Connection	Connector, M12, 4-pin
More information / accessories	https://www.di-soric.com/207917