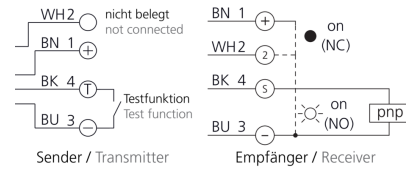
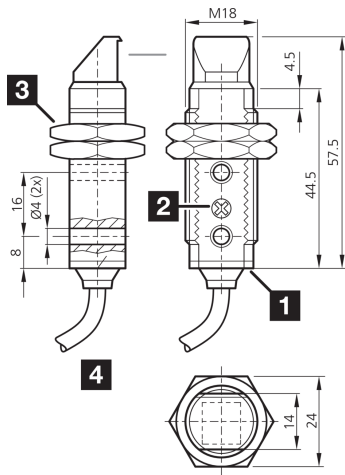




**207914**  
**OES 18 FMR 8000 P3**  
**Through-beam sensor, transmitter / receiver**

- Angled optics
- Universal mounting options
- Low installation depth
- Sensitivity is adjustable
- LED switching status display
- Metal casing



1) LED  
 2) Potentiometer

3) Width over flats 24 mm  
 4) Connection cable

BK: black

BN: brown

BU: blue

WH: white

**Function**



**Technical data (typ.)**

**+20°C, 24 V DC**

Service voltage	10 ... 30 V DC
No-load current (max.)	30 mA
Thread	M18 x 1
Housing length	57.5 mm
Housing material	Metal
Material of cable	PVC
Material	PMMA (Window)
Protection class	III, operation on protective low voltage
Operating principle	Through-beam sensor
Evaluation	digital
Design	Thread, Angled optics
Consisting of	Transmitter and Receiver
Switching output	pnp, 100 mA, NO/NC
Light source	LED
Color	Infrared
Wavelength	880 nm
Modulation	Clocked
Ambient light immunity	3 kLx Clocked light, 10 kLx Sunlight
Range	0 ... 8000 mm

**207914****OES 18 FMR 8000 P3****Through-beam sensor, transmitter / receiver**

<b>Technical data (typ.)</b>	<b>+20°C, 24 V DC</b>
Sensitivity adjustment	Potentiometer
Switching frequency	333 Hz
Response time	1.5 ms
Release time	1.5 ms
Ambient temperature during operation	-25 ... +55 °C
Protection type	IP 67
Connection	Cable, 2.0 m
<b>More information / accessories</b>	<b><a href="https://www.di-soric.com/207914">https://www.di-soric.com/207914</a></b>