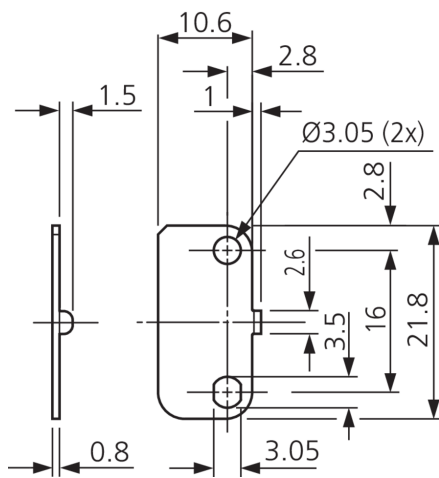
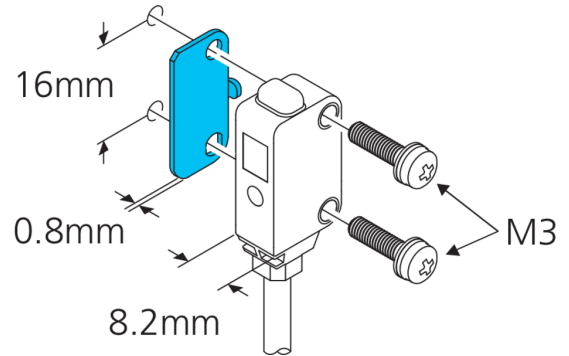



207435
MP 22
Mounting plate

- Robust design



Technical data (typ.)

	+20°C
Hole spacing	16 mm
Mounting	Hole
Mounting diameter	Ø 3.2 mm
Housing material	Stainless steel (V2A 1.4301 / AISI 304) / Stainless steel
Component	Mounting plate
To be used for	Device series O-20 Miniature

More information / accessories

<https://www.di-soric.com/207435>