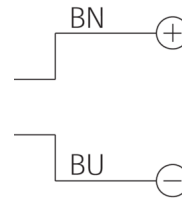
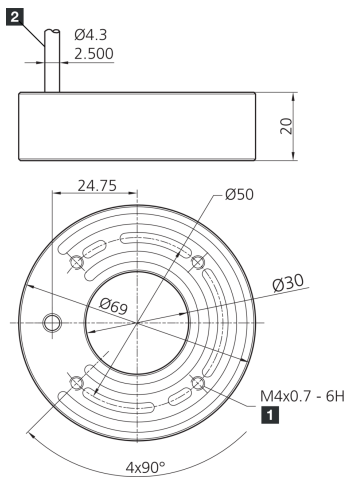




207142
BE-R30-F5-K-CLR
Ringlight

- High excess current factor
- Pulsed mode for inspection of fast moving objects
- Extremely powerful light for high depth of field
- Long life thanks to intelligent thermal management
- Homogeneous luminous field
- High protection type IP 67
- Robust metal housing



Betrieb ausschließlich mit Flash-Controller an einem *Supply Class 2* - Netzteil!
 Use only with flash equipment driven by a power supply *Class 2*!
 A utiliser exclusivement avec un contrôleur d'impulsion connecté a une alimentation *Class 2*!

1) 6 mm deep

2) Connection cable

Function										

Technical data (typ.)	+20°C, 24 V DC
Power consumption (in pulse / max.)	45.0 W
Energization factor (in pulse / max.)	10
Energization (in pulse / max.)	2000 mA
Service voltage	No constant voltage!
Inverse polarity protection	Yes
Insulation voltage endurance	500 V
Diameter	Ø 30 / Ø 69 mm (Diameter)
Height	20 mm
Housing material	Aluminum (Black, Anodized)
Material	<ul style="list-style-type: none"> ■ Polyurethane (Cable) ■ PMMA, clear (Protection optics)
Risk group (DIN EN 62471)	Free group
Approvals	UL
Design	Ringlight
Light source	LED
Color	White (clear)
Wavelength	6500 K
Deflection angle FWHM	120°



207142
BE-R30-F5-K-CLR
Ringlight

Technical data (typ.)	+20°C, 24 V DC
Light intensity	<ul style="list-style-type: none"> ■ 5.10 kLx (100.0 mm / 100 %) ■ 19.1 kLx (100.0 mm / 500 %) ■ 30.0 kLx (100.0 mm / 1000 %) ■ 1.50 kLx (200.0 mm / 100 %) ■ 5.60 kLx (200.0 mm / 500 %) ■ 8.10 kLx (200.0 mm / 1000 %)
Control	Flashable by means of flash controller
Shock/vibration load	30 g, 11 ms / 10 ... 55 Hz, 1.0 mm
Ambient temperature during operation	0 ... +40 °C
Protection type	IP 67
Connection	Cable, 2.5 m (flying leads, Use only with flash controller!)
More information / accessories	https://www.di-soric.com/207142