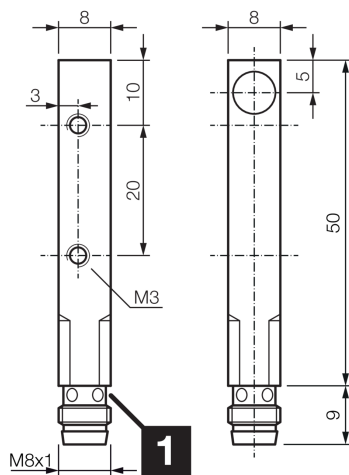




**207043**  
**DCCQ 08 M 02 POK-TSL**  
**Inductive proximity sensor**

- Metal connector
- Integrated amplifier
- Short-circuit protection
- Starting pulse suppression
- LED



1) LED 4 x 90° (yellow)

BK: black

BN: brown

BU: blue

**Function**



**Technical data (typ.)**

**+20°C, 24 V DC**

Service voltage	10 ... 30 V DC
No-load current (max.)	< 10 mA
Insulation voltage endurance	500 V
Installation type	Flush
Housing dimensions	8 x 8 x 50 mm
Housing length	59 mm
Housing material	Brass (CuZn, nickel-plated)
Material of cable	PVC
Tightening torque (max.)	0.8 Nm
Protection class	III, operation on protective low voltage
Operating principle	inductive
Evaluation	digital
Design	Cuboid design
Characteristics	increased operating distance
Product series	INS Standard
Switching output	pnp, 200 mA, NC
Voltage drop (max.)	2.4 V
Switching distance (SN)	2 mm
Standardized measuring plate	8 x 8 x 1 mm
Switching hysteresis (max.)	15 %

**207043****DCCQ 08 M 02 POK-TSL****Inductive proximity sensor****Technical data (typ.)****+20°C, 24 V DC**

Switching frequency

2000 Hz

Ambient temperature during operation

-25 ... +70 °C

Protection type

IP 67

Connection

Connector, M8, 3-pin

Connection cable

TK ...

**More information / accessories**<https://www.di-soric.com/207043>