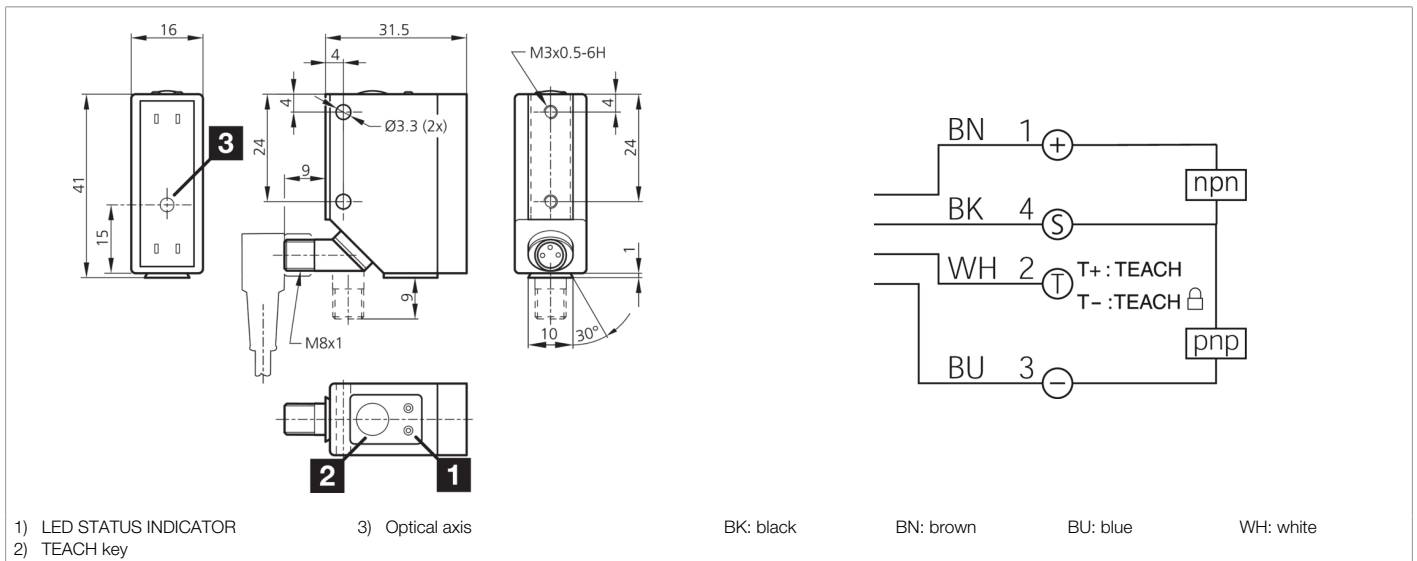




206978
LRT 41 M 2 FG3-T4
Laser retroreflective sensor

- Long range with a small design
- Connector, rotatable 270°
- Dovetail groove for secure mounting
- NO/NC changeover by teach key
- Auto and two-point teach procedures
- Auto-collimation principle
- Visible red light with small light spot
- Angled optics
- Display for unstable function



Function											

Technical data (typ.)	+20°C, 24 V DC
Service voltage	10 ... 30 V DC
No-load current (max.)	40 mA
Insulation voltage endurance	500 V
Housing dimensions	41 x 31.5 x 16 mm
Housing length	31.5 mm
Housing height	41 mm
Housing width	16 mm
Housing material	Die-cast zinc (Black, painted)
Material	PMMA (Window)
Protection class	III
Operating principle	Retroreflective sensor
Evaluation	digital
Design	Cuboid design
Switching output	Push-pull, 200 mA, NO/NC, switchable
Light source	Laser
Laser class	CLASS 1 LASER PRODUCT, 1 (IEC 60825-1:2014 / EN 60825-1:2014)
Color	Red
Wavelength	655 nm (Pp < 0.9 mW t = 6 µs)
Modulation	Clocked
Ambient light immunity	50 kLx



206978

LRT 41 M 2 FG3-T4

Laser retroreflective sensor

Technical data (typ.)

+20°C, 24 V DC

Range	100 ... 2000 mm
Referring reflector	RL 13 x 17 mm (included)
Switching hysteresis (max.)	10 %
Reproducibility	< 1 %
Sensitivity adjustment	Teach button, Remote teach
Switching frequency	1000 Hz
Ambient temperature during operation	0 ... +50 °C
Protection type	IP 67
Connection	Connector, M8, 4-pin
Connection cable	TK ... /4

More information / accessories

<https://www.di-soric.com/206978>