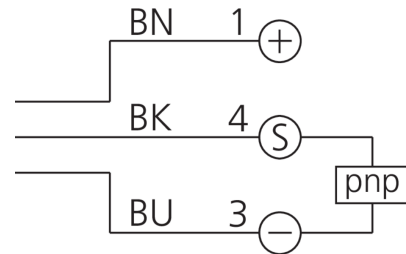
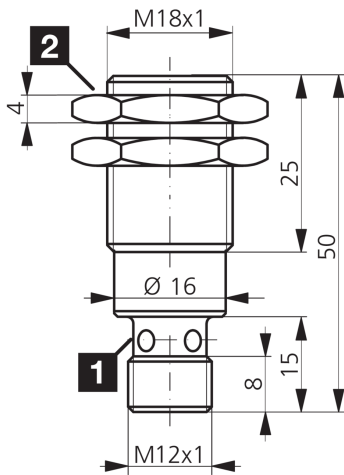




206669
DCCK 18 M 05 PSK-IBSL
Inductive proximity sensor

- Metal connector
- Integrated amplifier
- Short-circuit protection
- Starting pulse suppression
- LED



1) LED 4 x 90° (yellow)

2) Width over flats 24 mm

BK: black

BN: brown

BU: blue

Function



Technical data (typ.)

+20°C, 24 V DC

Service voltage	10 ... 30 V DC
Internal power consumption	< 10 mA
Insulation voltage endurance	500 V
Installation type	Flush
Thread	M18 x 1
Housing length	50 mm
Housing material	Brass (nickel-plated)
Tightening torque (max.)	25 Nm
Protection class	III, operation on protective low voltage
Operating principle	inductive
Evaluation	digital
Design	Thread
Product series	IND-100 Short design
Switching output	pnp, 200 mA, NO
Voltage drop (max.)	2.4 V
Switching distance (SN)	5 mm
Standardized measuring plate	18 x 18 x 1 mm
Switching hysteresis (max.)	< 10 %
Switching frequency	800 Hz
Ambient temperature during operation	-25 ... +70 °C



206669

DCCK 18 M 05 PSK-IBSL

Inductive proximity sensor

Technical data (typ.)

+20°C, 24 V DC

Protection type

IP 67

Connection

Connector, M12, 3-pin, A-coded

Connection cable

VK ...

More information / accessories

<https://www.di-soric.com/206669>