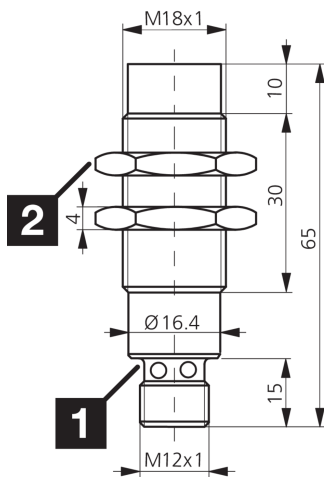
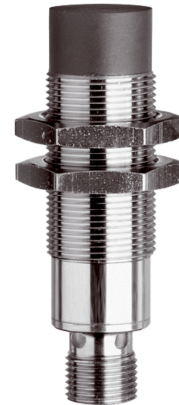




206444
DCC 18 M 08 PSK-IBSL
Inductive proximity sensor

- Metal connector
- Integrated amplifier
- Short-circuit protection
- Starting pulse suppression
- LED



1) LED 4 x 90° (yellow)

2) Width over flats 24 mm

BK: black

BN: brown

BU: blue

Function



Technical data (typ.)

+20°C, 24 V DC

Service voltage	10 ... 30 V DC
Internal power consumption	< 10 mA
Insulation voltage endurance	500 V
Installation type	non-flush
Thread	M18 x 1
Housing length	65 mm
Housing material	Brass (nickel-plated)
Protection class	III, operation on protective low voltage
Operating principle	inductive
Evaluation	digital
Design	Thread
Product series	INS-100 Standard
Switching output	pnp, 200 mA, NO
Voltage drop (max.)	2.4 V
Switching distance (SN)	8 mm
Standardized measuring plate	24 x 24 x 1 mm
Switching hysteresis (max.)	< 15 %
Switching frequency	500 Hz
Ambient temperature during operation	-25 ... +70 °C
Protection type	IP 67



206444

DCC 18 M 08 PSK-IBSL

Inductive proximity sensor

Technical data (typ.)

+20°C, 24 V DC

Connection

Connector, M12, 4-pin, A-coded

Connection cable

VK ...

More information / accessories

<https://www.di-soric.com/206444>