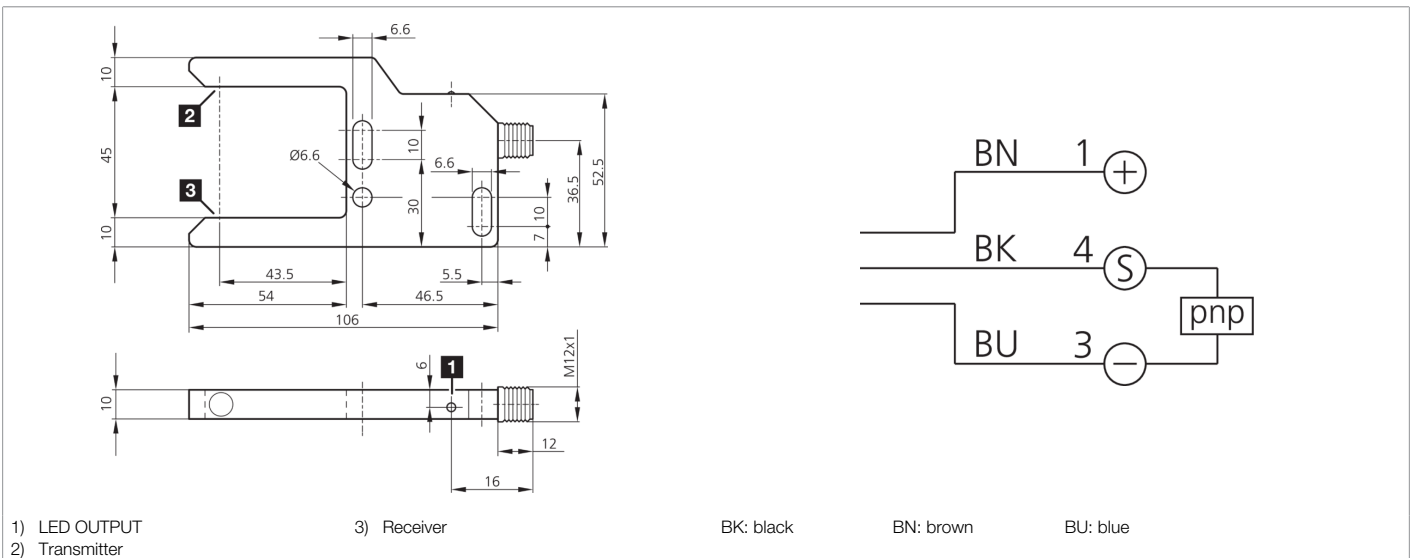
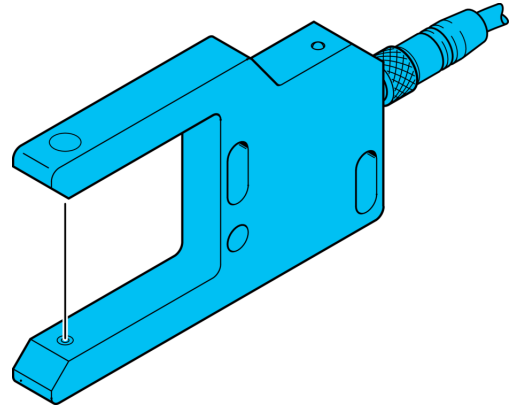




**205628**  
**OGU 45/54-0 P2K-IBS**  
**Fork light barrier**

- High function reserve
- Universal mounting
- Robust metal housing



Function										

Technical data (typ.)	+20°C, 24 V DC
Service voltage	10 ... 30 V DC
No-load current (max.)	20 mA
Insulation voltage endurance	500 V
Leg length internal	54 mm
Housing material	Aluminum
Protection class	III, operation on protective low voltage
Operating principle	Optical
Evaluation	digital
Design	Fork
Switching output	pnp, 200 mA, NO
Voltage drop (max.)	2.8 V
Light source	LED
Color	Infrared
Modulation	Clocked
Ambient light immunity	5 kLx
Fork opening	45 mm
Sensitivity adjustment	no setting elements
Switching frequency	50 Hz
Ambient temperature during operation	-10 ... +60 °C



**205628**

**OGU 45/54-0 P2K-IBS**

**Fork light barrier**

<b>Technical data (typ.)</b>	<b>+20°C, 24 V DC</b>
Protection type	IP 67
Connection	Connector, M12, 4-pin
Connection cable	VK ...
<b>More information / accessories</b>	<b><a href="https://www.di-soric.com/205628">https://www.di-soric.com/205628</a></b>