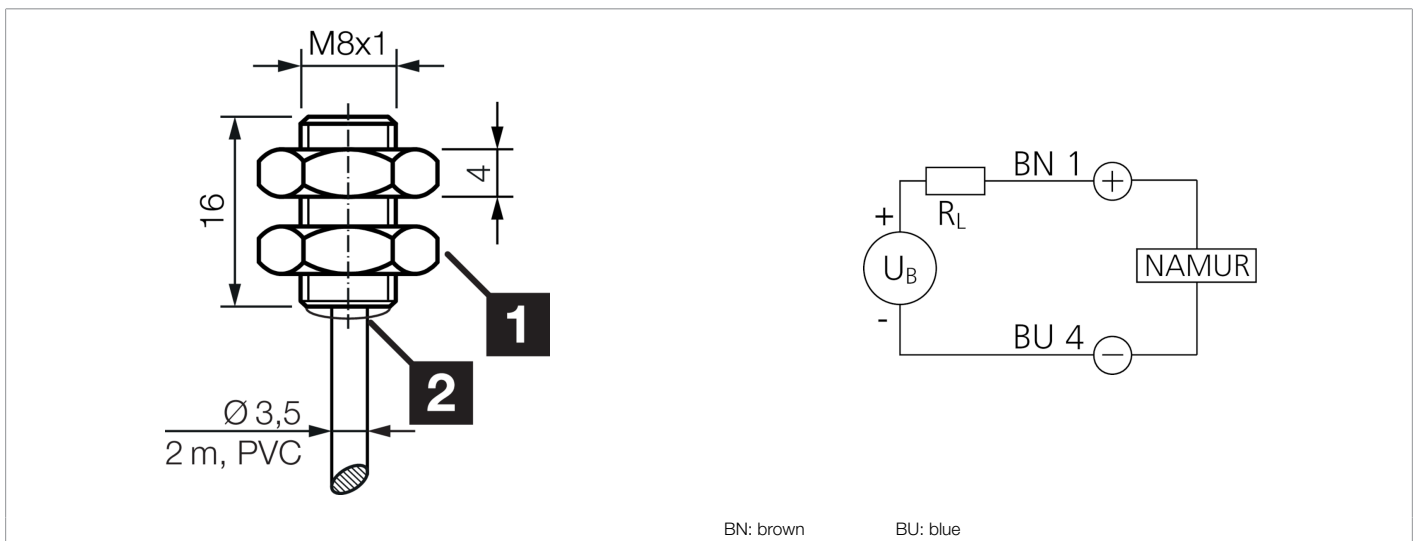
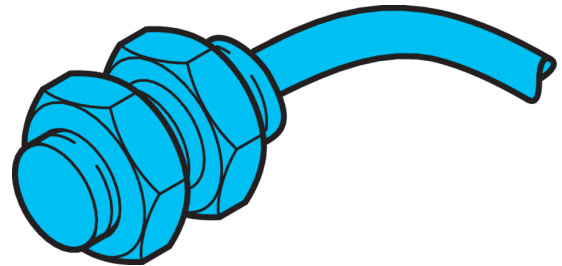




**205114**  
**DCC 08 V 1.5 NAMUR**  
**Inductive proximity sensor**

- Versions in accordance with NAMUR
- Service voltage 5 ... 30 V DC
- Output current max. 1 mA with energized proximity switch
- Output current min. 2.2 mA with de-energized proximity switch
- Starting pulse suppression



Function										

Technical data (typ.)	+20°C, 24 V DC
Service voltage	7.7 ... 9 V DC
Insulation voltage endurance	According to IEC 60947-5-2 (7.2.3.1)
Installation type	Flush
Thread	M8 x 1
Housing length	16 mm
Housing material	Stainless steel
Material of cable	PVC
Protection class	III, operation on protective low voltage
Operating principle	inductive
Evaluation	digital
Design	Cylinder
Product series	Namur
Switching output	Namur, < 1 mA
Voltage drop (max.)	2 V
Switching distance (SN)	1.5 mm
Standardized measuring plate	8 x 8 x 1 mm
Switching frequency	10000 Hz
Ambient temperature during operation	-25 ... +70 °C
Protection type	IP 67
Connection	Cable, 2.0 m, 2-pin, A-coded



**205114**

**DCC 08 V 1.5 NAMUR**

**Inductive proximity sensor**

[More information / accessories](#)

<https://www.di-soric.com/205114>