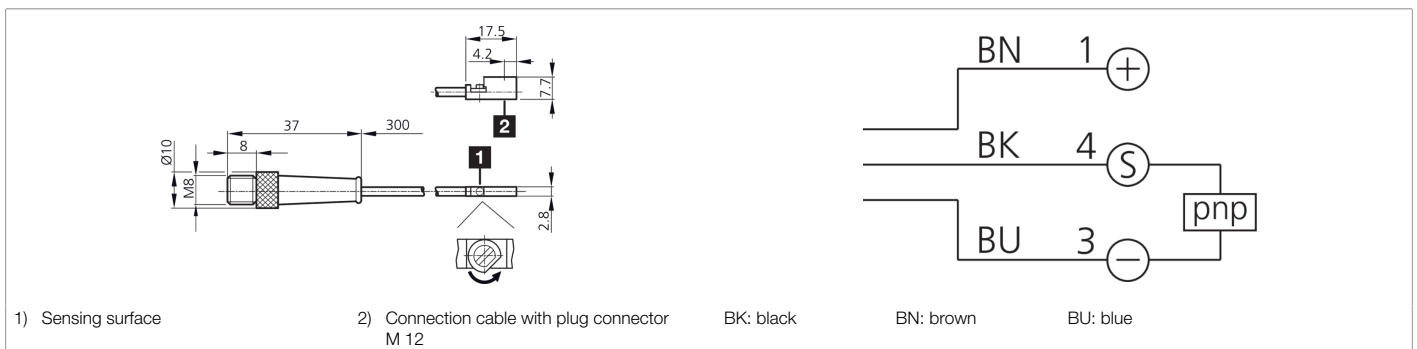




204657
MZEC 9-18 PSL-K-TSS
Cylinder sensor

- For pneumatic cylinders with round groove 3.7 mm
- For pneumatic cylinders with round groove 4 mm
- To be inserted from above
- Compact design
- Completely electronic, vibration-resistant
- High reproducibility
- Accessories available for mounting on round, tie rod and profile cylinders



Function											
											 

Technical data (typ.)	+20°C, 24 V DC
Current-carrying capacity	100 mA, short-circuit-proof, polarity-safe
Service voltage	10 ... 30 V DC
No-load current (max.)	10 mA
Insulation voltage endurance	500 V
Cylinder groove	C-groove 3.7 mm, 4.0 mm, Can be inserted into the groove from above
Mounting	Excentric
Housing material	Plastic (PA)
Material of cable	Polyurethane
Material	Stainless steel (Fastening excentric)
Protection class	III, operation on protective low voltage
Switching output	pnp, 100 mA, NO, short-circuit-proof
Voltage drop (max.)	2.5 V
Reproducibility	0.2 mm
Display	LED yellow - Output signal
Switching frequency	10000 Hz
Ambient temperature during operation	-25 ... +80 °C
Protection type	IP 67
Connection	Pigtail, 0.3 m, M8, 3-pin
Connection cable	TK ...

More information / accessories <https://www.di-soric.com/204657>