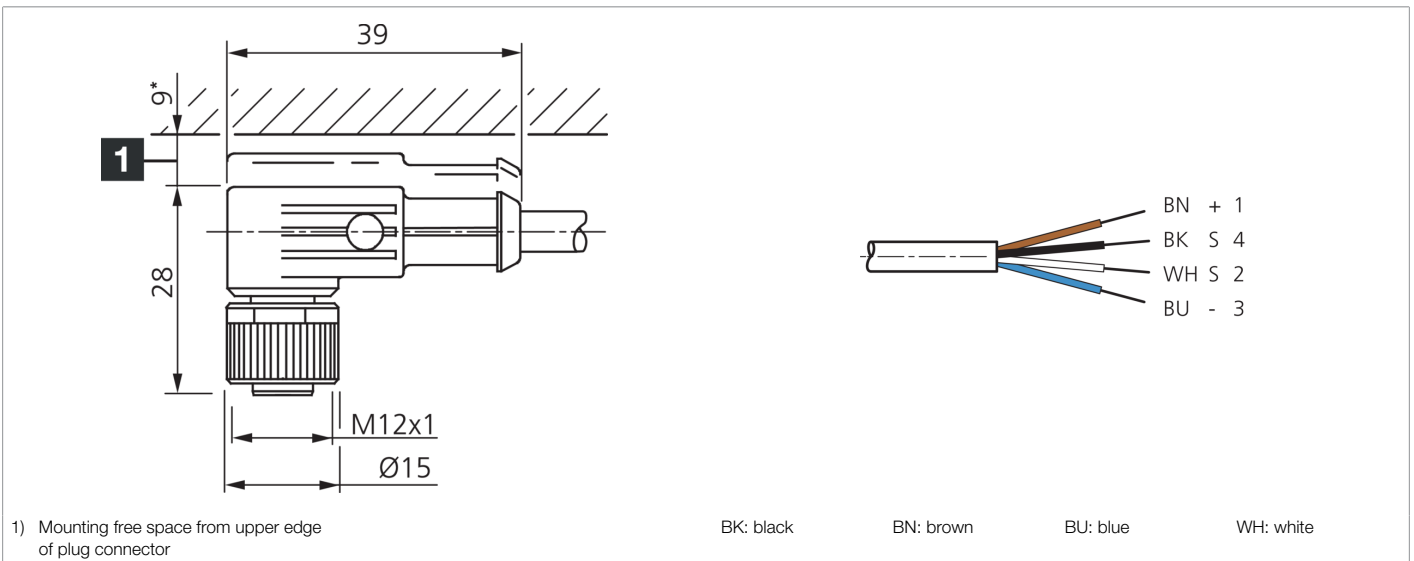




**204241**  
**VKHM-W-15/4**  
**Connection cable**

- Drag chain compatible
- Sturdy metal union nut
- Durable PU coating
- Flexible lead design
- Good stripping properties
- High protection type
- Gold-plated plug-in contacts



Function											

Technical data (typ.)	
Service voltage	< 250 V AC/DC
Length	15,000 mm
Diameter	Ø 5.2 mm (Diameter)
Thread	M12
Material of cable	Polyurethane
Drag chain properties	80 mm (Min. bending radius)
Protection class	III, operation on protective low voltage
Design	Angled / open cable end
Characteristics	Metal nut
Drag chain compatible	Yes
LED Anzeige	No
Ambient temperature during operation	-5 ... +80 °C (Movable, Fixed)
Protection type	IP 67
Connection	Socket, M12, 4-pin, A-coded
Cross-section	0.34 mm <sup>2</sup> (4 x)

More information / accessories	<a href="https://www.di-soric.com/204241">https://www.di-soric.com/204241</a>
--------------------------------	---