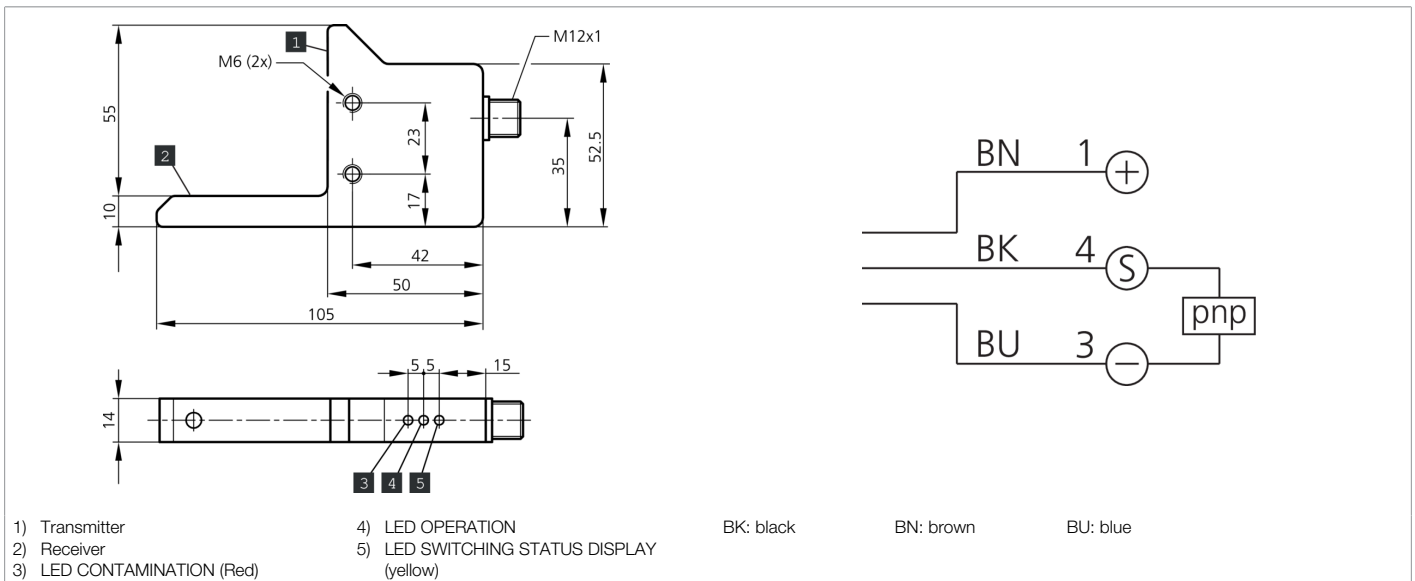




**204186**  
**OGL 55/55 P2L-IBS**  
**High-performance angled light barriers**

- Contamination indicator
- High function reserve
- Extremely dirt-resistant
- Listed in the automotive industry
- Optical axis approachable in x-, y- and z-direction
- Universal mounting
- Robust metal housing



Function									

Technical data (typ.)		+20°C, 24 V DC
Service voltage		10 ... 35 V DC (Supply Class 2)
No-load current (max.)		40 mA
Insulation voltage endurance		500 V
Leg length internal		55/55 mm
Housing dimensions		65 x 105 x 14 mm
Housing length		105 mm
Housing height		65 mm
Housing width		14 mm
Housing material		Aluminum (Black, Anodized)
Protection class		III, operation on protective low voltage
Approvals		UL
Operating principle		Optical
Evaluation		digital
Design		Angle
Characteristics		High transmit power and dirt penetration
Switching output		pnp, 200 mA, NO
Voltage drop (max.)		2 V
Light source		LED
Color		Infrared



**204186**

**OGL 55/55 P2L-IBS**

**High-performance angled light barriers**

<b>Technical data (typ.)</b>	<b>+20°C, 24 V DC</b>
Wavelength	880 nm
Ambient light immunity	5 kLx
Range	60 mm (optical axis)
Sensitivity adjustment	no setting elements
Switching frequency	150 Hz
Ambient temperature during operation	-10 ... +60 °C
Protection type	IP 67
Connection	Connector, M12, 3-pin
Connection cable	VK ...
<b>More information / accessories</b>	<b><a href="https://www.di-soric.com/204186">https://www.di-soric.com/204186</a></b>