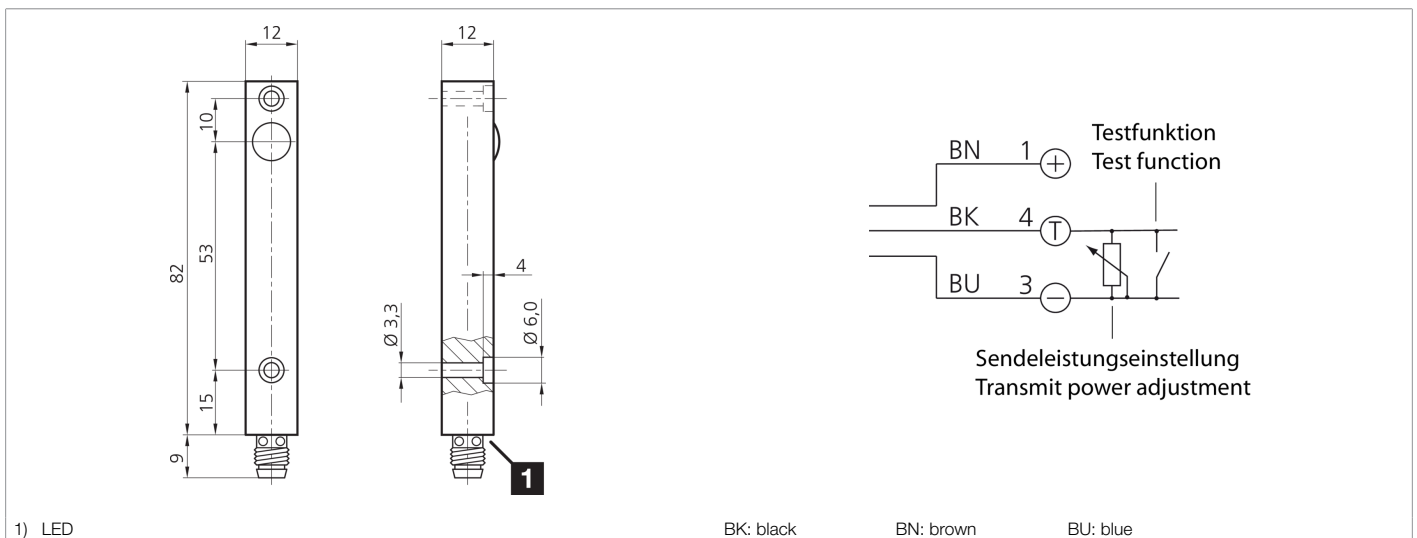




204159
OSPQ 12 MHF-TSSL
High performance light barrier, transmitter

- Long range
- Transmit power with external resistance adjustable
- High function reserve
- Extremely dirt-resistant
- Easy adjustment
- Different designs to be combined
- High protection type
- Compact design



Function										

Technical data (typ.)	+20°C, 24 V DC
Service voltage	10 ... 35 V DC
No-load current (max.)	55 mA
Housing dimensions	82 x 12 x 12 mm
Housing length	82 mm
Housing height	12 mm
Housing width	12 mm
Housing material	Aluminum (Anodized)
Protection class	III, operation on protective low voltage
Operating principle	Through-beam sensor, transmitter
Evaluation	digital
Design	Cuboid design
Characteristics	High transmit power and dirt penetration
Consisting of	Transmitter
Light source	LED
Color	Infrared
Wavelength	870 nm
Modulation	Clocked
Deflection angle FWHM	6°
Range	0 ... 50000 mm (dependent on the receiver)
Sensitivity adjustment	no setting elements



204159

OSPQ 12 MHF-TSSL

High performance light barrier, transmitter

Technical data (typ.)

+20°C, 24 V DC

Shock/vibration load

30 g, 11 ms / 10 ... 55 Hz, 2.0 mm

Ambient temperature during operation

-20 ... +60 °C

Protection type

IP 67

Connection

Connector, M8, 3-pin

More information / accessories

<https://www.di-soric.com/204159>