

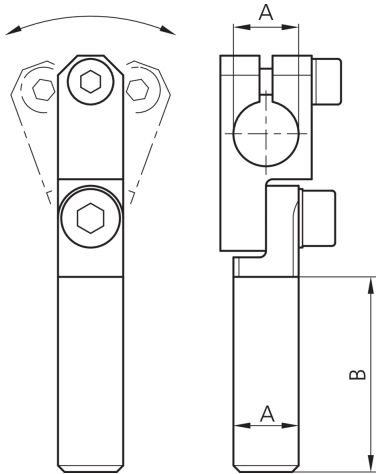
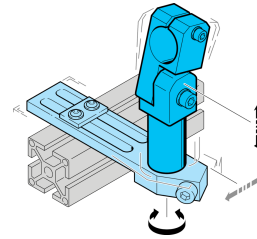


203908

SH-GLA-20-20-100

Articulated arm

- Highly flexible versatile mounting system
- Universal mounting
- Stepless adjustment
- Robust design



Technical data (typ.)

+20°C	
Diameter	A: 20 mm
Dimension	B: 100 mm
Housing material	Metal
Component	Articulated arm
Characteristics	Adjustable
To be used for	Clamping pin 20 mm
Product series	Z-UBT-KL-MS Assembly system

More information / accessories

<https://www.di-soric.com/203908>