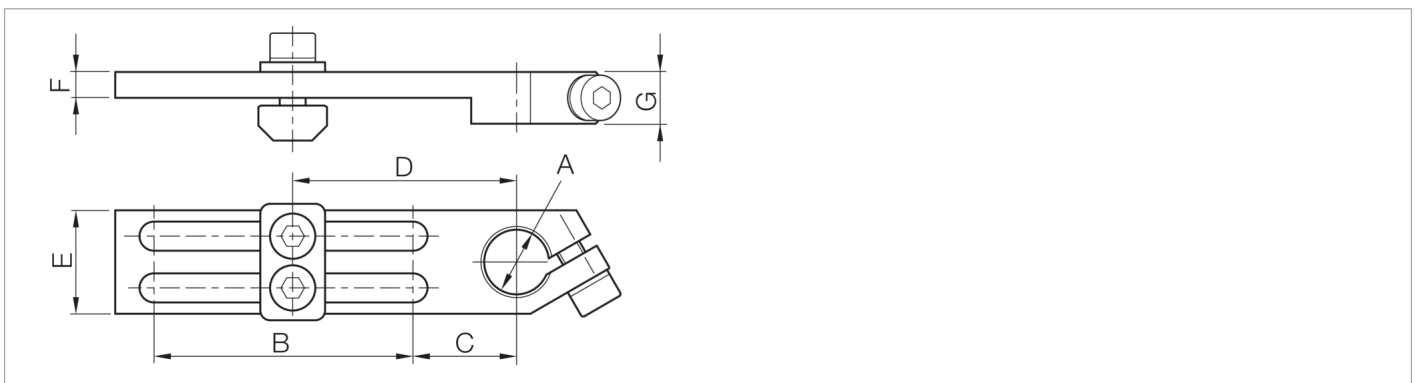
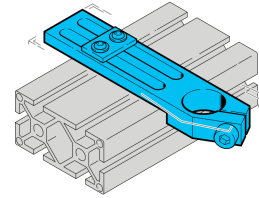




**203888**  
**SH-WSL-X-20-60-U**  
**Angle clamp**

- Highly flexible versatile mounting system
- Universal mounting
- Stepless adjustment
- Robust design



Technical data (typ.)	+20°C
Diameter	A: 20 mm
Distance dimension	C: 24 mm
Distance dimension	D: 54 mm
Distance dimension	E: 25 mm
Distance dimension	F: 6 mm
Distance dimension	F: 12 mm
Dimension	B: 60 mm
Housing material	Metal
Component	Angle clamp
To be used for	Clamping pin 20 mm
Product series	Z-UBT-KL-MS Assembly system
<b>More information / accessories</b>	<b><a href="https://www.di-soric.com/203888">https://www.di-soric.com/203888</a></b>