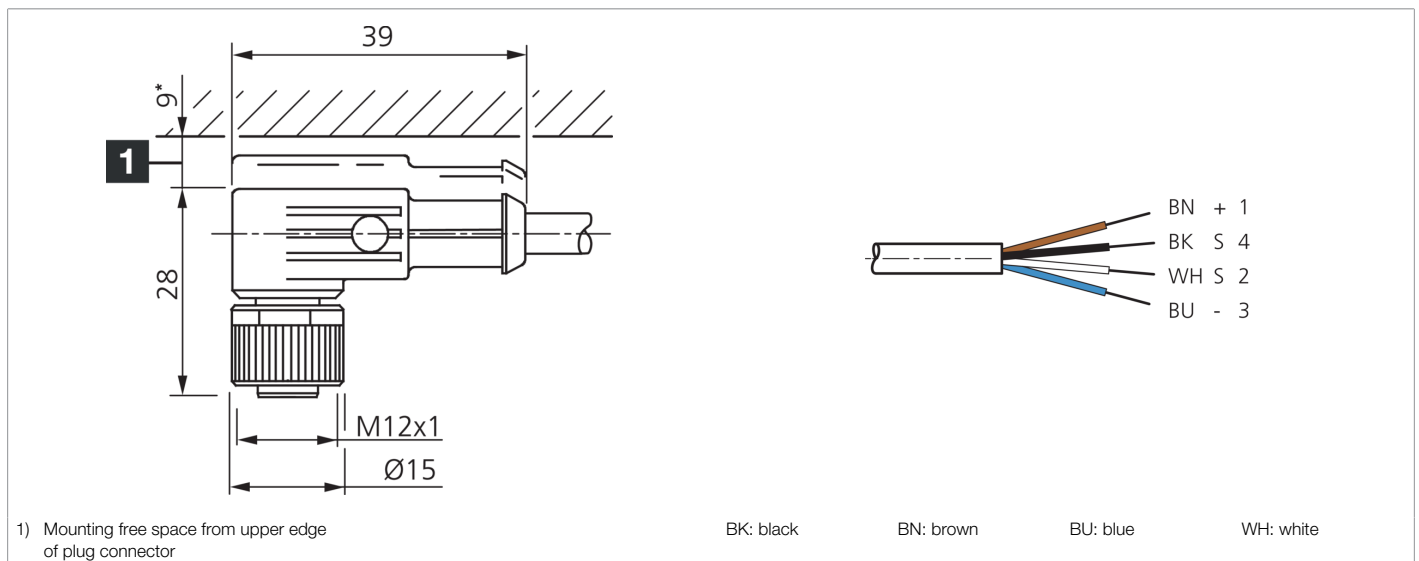




203533
VKPM-W-2.5/4
Connection cable

- Cable material made of PVC for applications in wet rooms or under water
- Sturdy metal union nut
- Flexible lead design
- Good stripping properties
- Gold-plated plug-in contacts
- High protection type



Function											

Technical data (typ.)	
Service voltage	< 250 V AC/DC
Length	2,500 mm
Diameter	Ø 5.0 mm (Diameter)
Thread	M12 x 1
Material of cable	PVC
Protection class	III, operation on protective low voltage
Design	Angled / open cable end
Characteristics	Metal nut
LED Anzeige	No
Ambient temperature during operation	-5 ... +80 °C (Movable, Fixed)
Protection type	IP 67
Connection	Socket, M12, 4-pin, A-coded
Cross-section	0.34 mm ² (4 x)

More information / accessories	https://www.di-soric.com/203533
--------------------------------	---