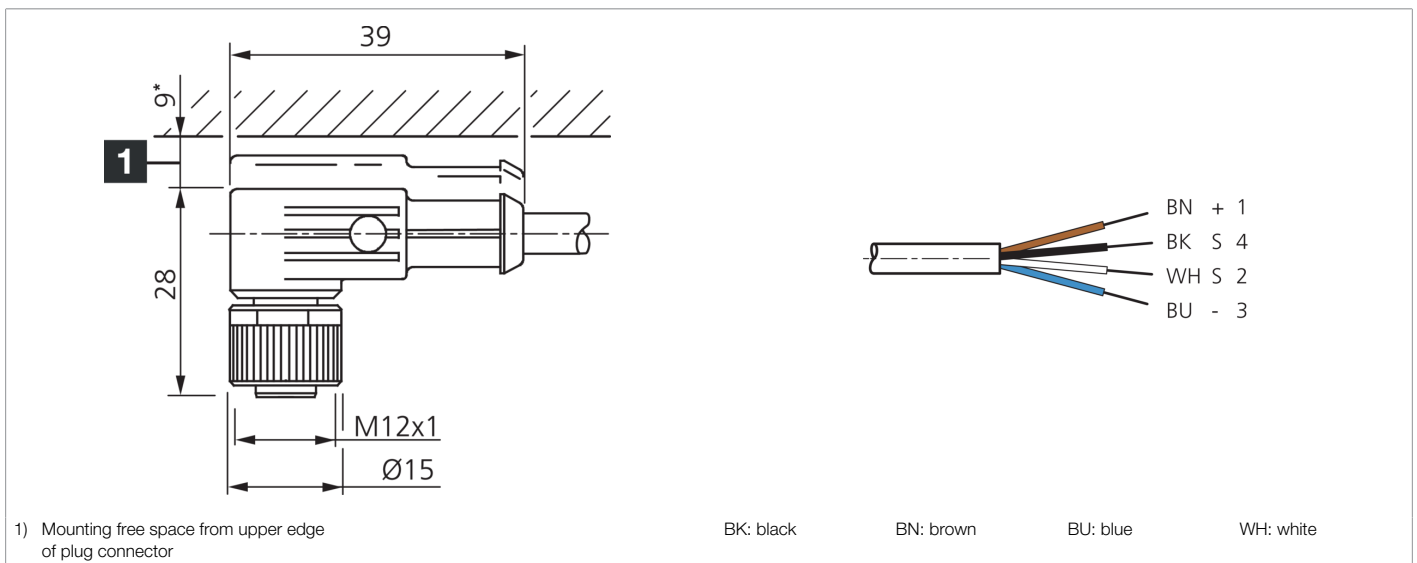




203532
VKPM-W-10/4/LP
Connection cable

- Cable material made of PVC for applications in wet rooms or under water
- LEDs for service voltage and switching status
- Sturdy metal union nut
- Flexible lead design
- Good stripping properties
- High protection type
- Gold-plated plug-in contacts



Function												
											CE	

Technical data (typ.)	+20°C, 24 V DC
Service voltage	< 31 V DC
Length	10,000 mm
Diameter	Ø 5.0 mm (Diameter)
Thread	M12
Material of cable	PVC
Material	PVC (Connector)
Protection class	III, operation on protective low voltage
Design	Angled / open cable end
Characteristics	Metal nut
LED Anzeige	Yes
Ambient temperature during operation	-5 ... +80 °C (Movable, Fixed)
Protection type	IP 67 (at tightening torque 0.6 Nm)
Connection	Socket, M12, 4-pin
Connection 2	0.34 mm ² (4 x)

More information / accessories	https://www.di-soric.com/203532
--------------------------------	-------------------------------------------------------------------------------