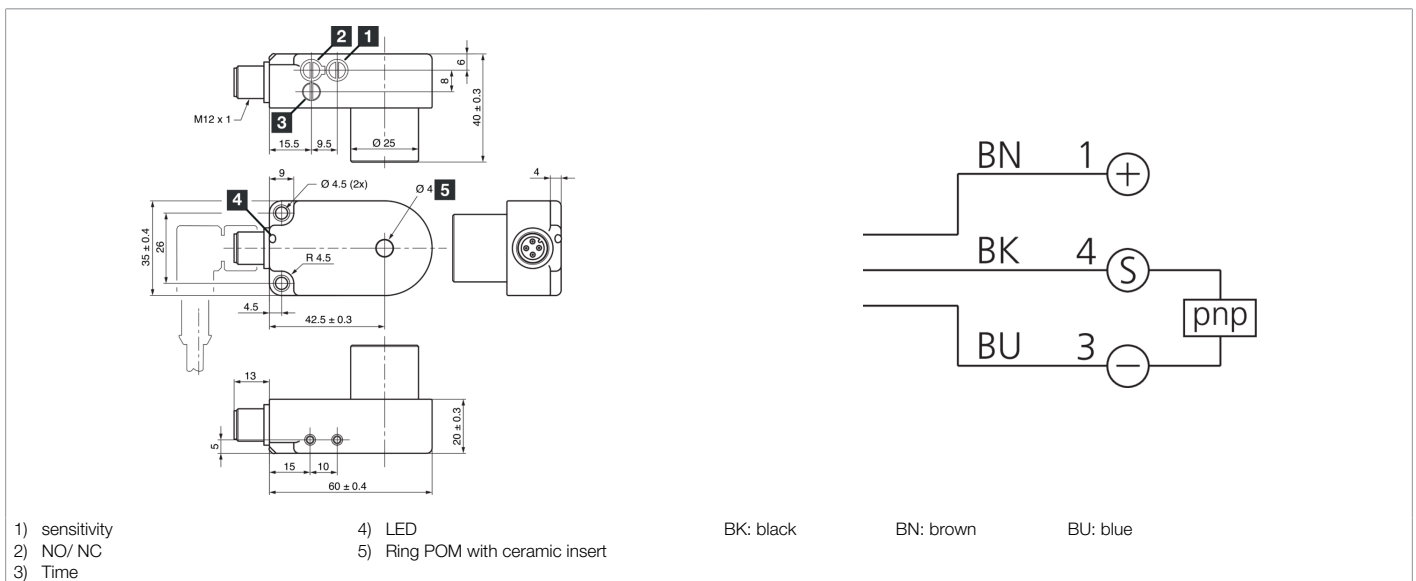


**203040**  
**IRDB 4 PSOK-IBS**  
**Inductive wire break sensor**

- Compact design
- Wear-resistant ceramic insert
- High resolution
- Short response time
- Pulse stretching adjustable
- Static operating principle
- Resistant to dirt
- Metal connector
- High protection type



Function										

Technical data (typ.)	+20°C, 24 V DC
Service voltage	10 ... 35 V DC (Supply Class 2)
No-load current (max.)	11 mA
Insulation voltage endurance	1000 V
Internal diameter	4.0 mm
Assembly distance to metal (min.)	5 mm
Housing material	Plastic (PA)
Material	<ul style="list-style-type: none"> <li>■ POM (Ring)</li> <li>■ Ceramic (Socket)</li> </ul>
Protection class	III, operation on protective low voltage
Approvals	UL
Operating principle	inductive
Evaluation	Static
Switching output	pnp, 200 mA, NO/NC, switchable
Voltage drop (max.)	2 V
Pulse stretching	10 ... 150 ms adjustable
Resolution	Ø 0.2 mm (Copper wire)
Sensitivity adjustment	Potentiometer
Speed of parts (max.)	35 m/s
Response time	0.50 ms



**203040**  
**IRDB 4 PSOK-IBS**  
**Inductive wire break sensor**

<b>Technical data (typ.)</b>	<b>+20°C, 24 V DC</b>
Release time	10 ms
Ambient temperature during operation	-25 ... +70 °C
Protection type	IP 67
Connection	Connector, M12, 4-pin, A-coded
Connection cable	VK ...
<b>More information / accessories</b>	<b><a href="https://www.di-soric.com/203040">https://www.di-soric.com/203040</a></b>