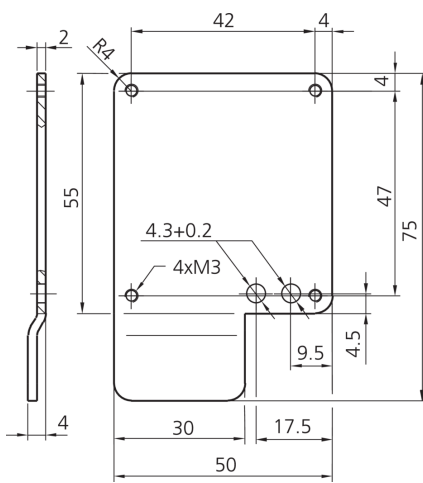
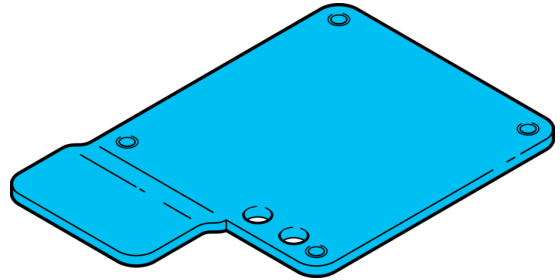



202761
P-KUS 50
Baffle plate



Technical data (typ.)

Housing material

+20°C, 24 V DC

Stainless steel (1.4305 / AISI 303)

Component

Baffle plate

To be used for

KUS 50 M 100 ...

More information / accessories

<https://www.di-soric.com/202761>