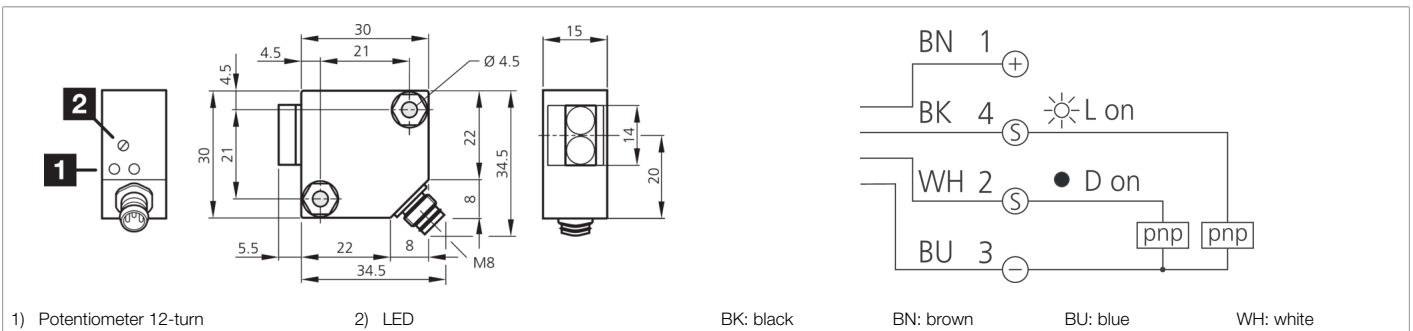


202754

ORV 30 K 4000 P4K-TSSL
Retroreflective sensor

- Compact design
- Red light
- 12-turn potentiometer
- Sensitivity adjustable, large operating distance
- Polarization filter



Function										

Technical data (typ.)	+20°C, 24 V DC
Service voltage	10 ... 36 V DC
No-load current (max.)	20 mA
Insulation voltage endurance	500 V
Housing dimensions	30 x 30 x 15 mm
Housing length	30 mm
Housing height	30 mm
Housing width	15 mm
Housing material	Plastic (PBT)
Material	Glass (Window)
Protection class	III, operation on protective low voltage
Operating principle	Retroreflective sensor
Evaluation	digital
Design	Cuboid design
Characteristics	Integrated polarization filter
Switching output	pnp, 200 mA, antivalent
Voltage drop (max.)	2 V
Light source	LED
Color	red
Wavelength	660 nm
Modulation	Clocked
Ambient light immunity	10 kLx
Range	200 ... 4000 mm
Referring reflector	Ø 84 mm, R 84
Switching hysteresis (max.)	10 %
Sensitivity adjustment	Potentiometer (12-turn)
Switching frequency	1000 Hz

**202754****ORV 30 K 4000 P4K-TSSL****Retroreflective sensor**

Technical data (typ.)	+20°C, 24 V DC
Response time	0.50 ms
Release time	0.50 ms
Ambient temperature during operation	-25 ... +55 °C
Protection type	IP 67
Connection	Connector, M8, 4-pin
Connection cable	TK ... /4
More information / accessories	https://www.di-soric.com/202754