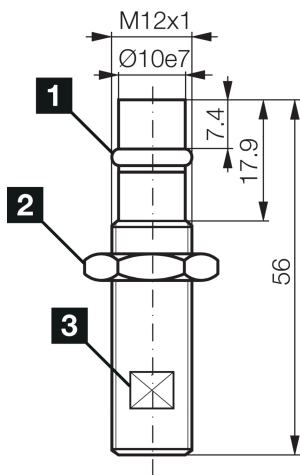




**202749**  
**DCC 12 V 1.5 PSK-IBSL 500/56/17.9**  
**Inductive proximity sensor**

- High-pressure resistant version up to 500 bar
- Stainless steel housing
- Sensing surface ZrO<sub>2</sub>-ceramic
- Metal connector
- Integrated amplifier
- Short-circuit protection
- Starting pulse suppression



- 1) O-ring  
 2) Width over flats 17 mm  
 3) Width over flats 10 mm  
 BK: black      BN: brown      BU: blue

**Function**



Technical data (typ.)		+20°C, 24 V DC
Service voltage		10 ... 30 V DC
Internal power consumption		< 10 mA
Insulation voltage endurance		According to IEC 60947-5-2 (7.2.3.1)
Installation type		Flush
Thread		M12 x 1
Housing material		Stainless steel / ZrO <sub>2</sub> ceramic
Protection class		III, operation on protective low voltage
Operating principle		inductive
Evaluation		digital
Design		Thread
Product series		INP High-pressure resistant
Switching output		pnp, 200 mA, NO
Voltage drop (max.)		2 V
Switching distance (SN)		1.5 mm
Standardized measuring plate		10 x 10 x 1 mm
Switching hysteresis (max.)		10 %
Switching frequency		600 Hz
Ambient temperature during operation		-25 ... +80 °C
Protection type		IP 68



**202749**

**DCC 12 V 1.5 PSK-IBSL 500/56/17.9**

**Inductive proximity sensor**

**Technical data (typ.)**

**+20°C, 24 V DC**

Connection

Connector, M12, 3-pin, A-coded

Connection cable

VK ...

**More information / accessories**

<https://www.di-soric.com/202749>