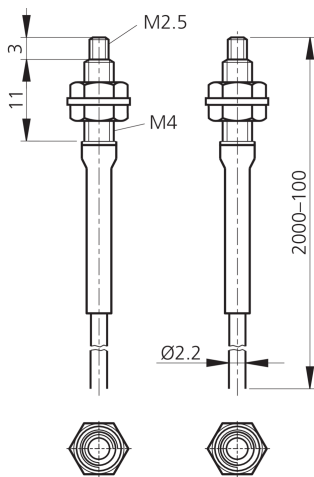




202515
WRBE 2000 KF-M4-M2.5-1.0
Plastic fiber optics

- Flexible thanks to fine inner fibers
- Extremely small bending radius
- Attachment optics applicable



Technical data (typ.)

+20°C

Length	2,000 mm
Thread	M4
Light aperture	axial, Attachment optics applicable
Bending radius	> 5 mm
Material of fiber	PMMA
Material	<ul style="list-style-type: none"> ■ VA (Thread sleeve) ■ PE (Coating)
Operating principle	Through-beam sensor
Design	Thread
Single fiber-optics	Ø 2.2 mm
Single fiber	Ø 1.0 mm (151 x 0.075 mm)
To be used for	Device series OLV-K Amplifier
Opening angle	56°
Range	550 mm
Temperature resistance	-20 ... +60 °C

More information / accessories

<https://www.di-soric.com/202515>